

BB.03.14



H 13in/33cm W 6in/167cm D 23in/58cm WT 12lb/6kg

28, rue Jacob 75006 Paris
+33 (0)1 43 29 40 05

contact@triodedesign.com
www.triodedesign.com



brushed brass
clear glass



brushed brass
white glass



brushed brass
grey glass



vintage brass
clear glass



vintage brass
white glass



vintage brass
grey glass



oil-rubbed bronze
clear glass



oil-rubbed bronze
white glass



oil-rubbed bronze
grey glass



satin nickel
clear glass



BRANCHING BUBBLE BB.03.14

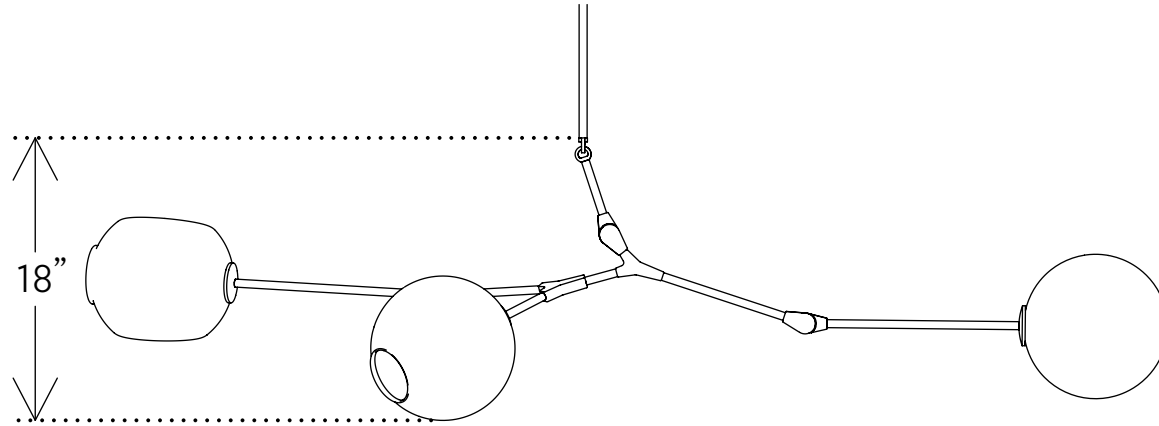
H 18in/46cm W 68in/173cm D 23in/58cm WT 12lb/5kg MAX 180w Shown with 9" globes

triode³ design

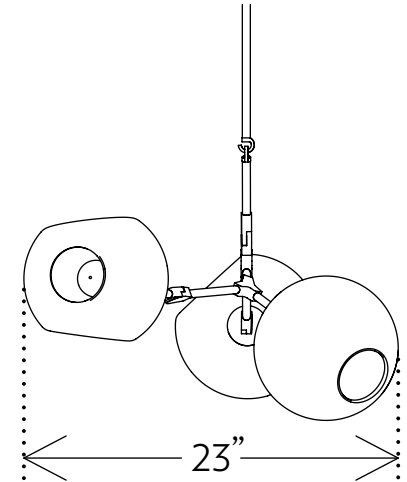
28, rue Jacob 75006 Paris
+33 (0)1 43 29 40 05

contact@triodedesign.com
www.triodedesign.com

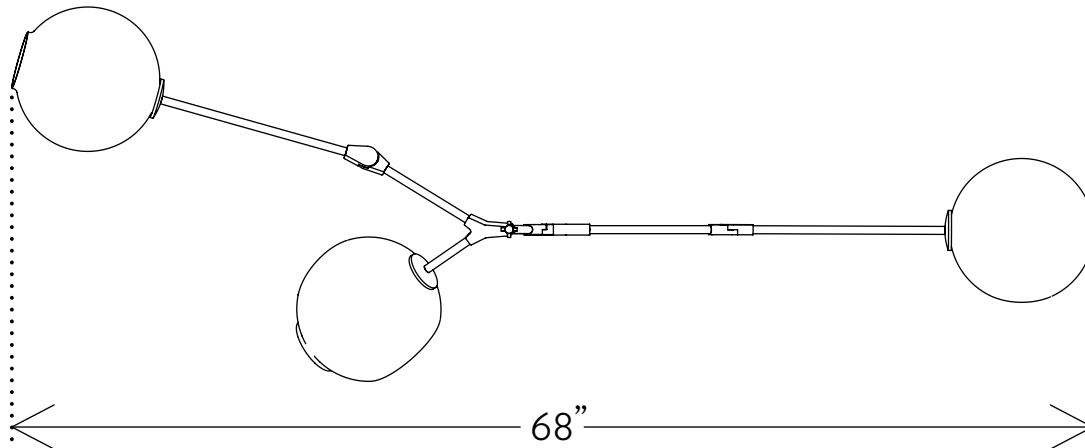
FRONT



SIDE



TOP





BRANCHING BUBBLE

Inspired by natural phenomena, Branching explores the visual tension that results from mixing hand-blown glass with machine-made metal parts. Lindsey Adelman and her team design and build each fixture to order.

triode³ design

28, rue Jacob 75006 Paris
+33 (0)1 43 29 40 05

contact@triodedesign.com
www.triodedesign.com

SUSPENSION Includes 36" or 72" stem that can be cut on-site. Longer lengths available upon request.

CANOPY Ø 5" x H .25"

MATERIALS Machined Brass Glass

SHADES 9" Glass Globe

BULBS	BULB TYPE	SOCKET	WATTAGE
120V	Double loop Edison	e26	60w
220/230V	Quad loop Edison	e27	60w



UL and cUL Certified