

Rich Brilliant Willing



Shown: VS-1-IV-AA1-CW-27-UN-10 (1-lamp, white ivory glass, white cord, natural aluminum, 2700K, 0-10V)

Vitis 1

Year Designed

2018

Description

LED Chandelier

Country of Manufacture

USA

Materials

Blown glass, anodized aluminum or steel, woven cable

LED Lifespan

50k hours

Certification



Product Codes SKU

VS-1-IV-AA1-CW-27-UN-10 shown above

VS - **1** - **IV** - **AA1** - **CW** - **27** - **UN** - **10**
lamps glass clasp cord CCT voltage control

Lamps 1, 3, 5 or 7 lamp

Glass **IV** Ivory, **SM** Smoke

Clasp See Finish Library (pg. 17)

Cord **CW** White, **CB** Black

CCT 2700K, 3000K

Control 10 0-10V DL DALI

Lamping

2 x 3.5W LED

2700K - 3000K CCT

1 x 300 Lumen source min 80 CRI

Specification

7 Watts

TBD Lumens (delivered)

120-277V Input 50/60Hz (Univ.)

Control

0-10V Premium Dimming 0-100%

DALI Premium Dimming 0-100%

Cord Length

240 in / 6096 mm

Color white

Custom length available

Canopy

6 in / 160 mm canopy -and- mud-in option standard

Power Supply Enclosure

UL Listed for cabinet and surface mount use

11 in x 2 in x 4 in / 286 mm x

48 mm x 95 mm enclosure standard

triode³ design

Rich Brilliant Willing

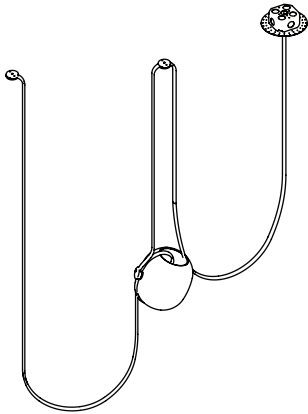
For digital drawings, visit www.RichBrilliantWilling.com/downloads

triode³ design

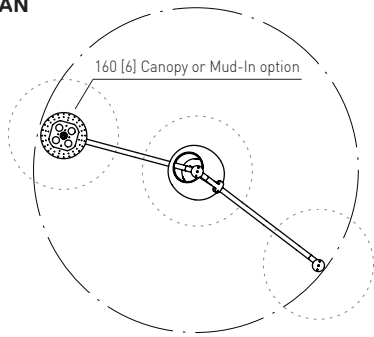
28, rue Jacob 75006 Paris
+33 (0)1 43 29 40 05

contact@triodedesign.com
www.triodedesign.com

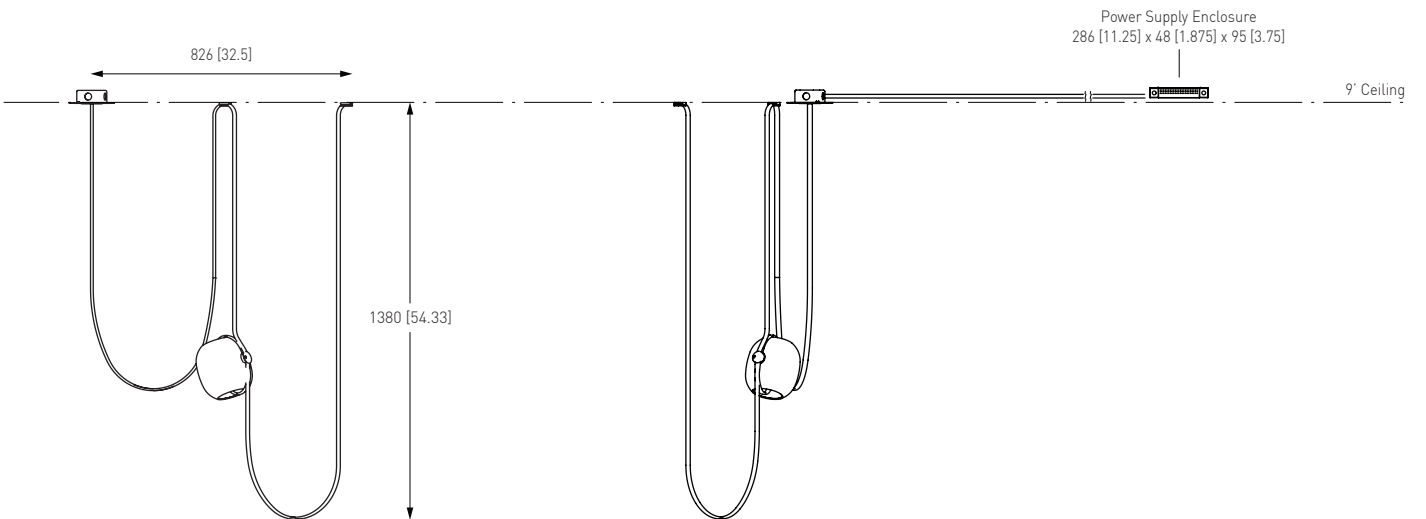
VS-1



PLAN



ELEVATION



Rich Brilliant Willing



Shown: VS-3-IV-AA1-CW-27-UN-10 (5-lamp, white ivory glass, white cord, natural aluminum, 2700K, 0-10V)

Vitis 3

Year Designed
2018

Description
LED Chandelier

Country of Manufacture
USA

Materials
Blown glass, anodized aluminum or steel, woven cable

LED Lifespan
50k hours

Certification



Product Codes SKU

VS-3-IV-AA1-CW-27-UN-10 shown above

VS - **3** - **IV** - **AA1** - **CW** - **27** - **UN** - **10**
lamps glass clasp cord CCT voltage control

Lamps 1, 3, 5 or 7 lamp
Glass IV Ivory, SM Smoke
Clasp See Finish Library (pg. 17)
Cord CW White, CB Black
CCT 2700K, 3000K
Control 10 0-10V DL DALI

Lamping
6 x 3.5W LED
2700K - 3000K CCT
3 x 300 Lumen source min 80 CRI

Specification
21 Watts
TBD Lumens (delivered)
120-277V Input 50/60Hz (Univ.)

Control
0-10V Premium Dimming 0-100%
DALI Premium Dimming 0-100%

Cord Length
480 in / 12192 mm
Color white
Custom length available

Canopy
6 in / 160 mm canopy -and-
mud-in option standard

Power Supply Enclosure
UL Listed for cabinet and surface
mount use
11 in x 2 in x 4 in / 286 mm x
48 mm x 95 mm enclosure standard

triode³ design

Rich Brilliant Willing

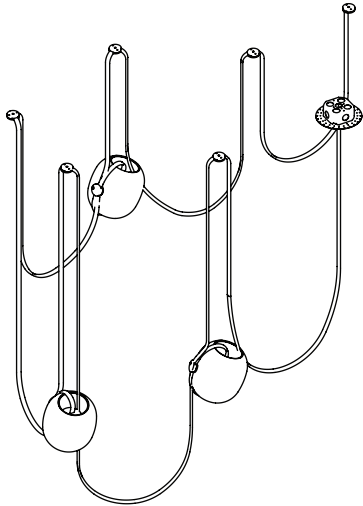
For digital drawings, visit www.RichBrilliantWilling.com/downloads

triode³ design

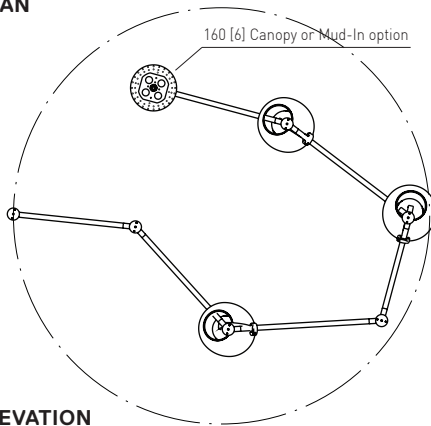
28, rue Jacob 75006 Paris
+33 (0)1 43 29 40 05

contact@triodedesign.com
www.triodedesign.com

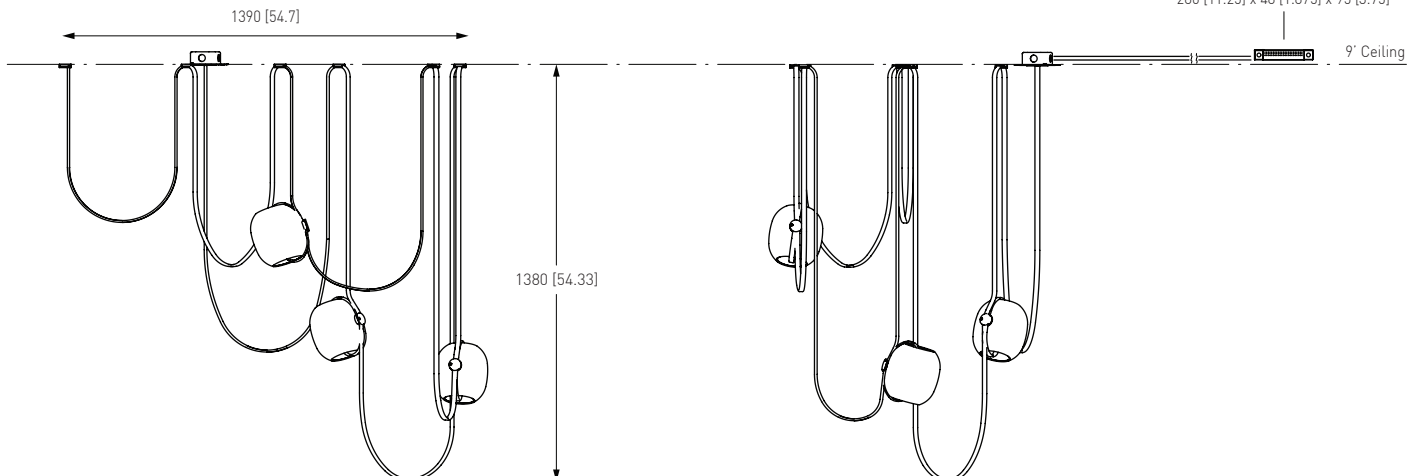
VS-3



PLAN



ELEVATION



Rich Brilliant Willing



Shown: [VS-5-IV-AA1-CW-27-UN-10](#) (5-lamp, white ivory glass, white cord, natural aluminum, 2700K, 0-10V)

Vitis 5

Year Designed
2018

Description
LED Chandelier

Country of Manufacture
USA

Materials
Blown glass, anodized aluminum or steel, woven cable

LED Lifespan
50k hours

Certification



Product Codes SKU

[VS-5-IV-AA1-CW-27-UN-10](#) shown above

VS - **5** - **IV** - **AA1** - **CW** - **27** - **UN** - **10**
lamps glass clasp cord CCT voltage control

Lamps 1, 3, 5 or 7 lamp
Glass **IV** Ivory, **SM** Smoke
Clasp See Finish Library (pg. 17)
Cord **CW** White, **CB** Black
CCT 2700K, 3000K
Control 10 0-10V **DL** DALI

Lamping
10 x 3.5W LED
2700K - 3000K CCT
5 x 300 Lumen source min 80 CRI

Specification
35 Watts
TBD Lumens (delivered)
120-277V Input 50/60Hz (Univ.)

Control
0-10V Premium Dimming 0-100%
DALI Premium Dimming 0-100%

Cord Length
720 in / 18288 mm
Color white
Custom length available

Canopy
6 in / 160 mm canopy -and-
mud-in option standard

Power Supply Enclosure
UL Listed for cabinet and surface
mount use
11 in x 2 in x 4 in / 286 mm x
48 mm x 95 mm enclosure standard

triode³ design

