



LUNA LIGHT

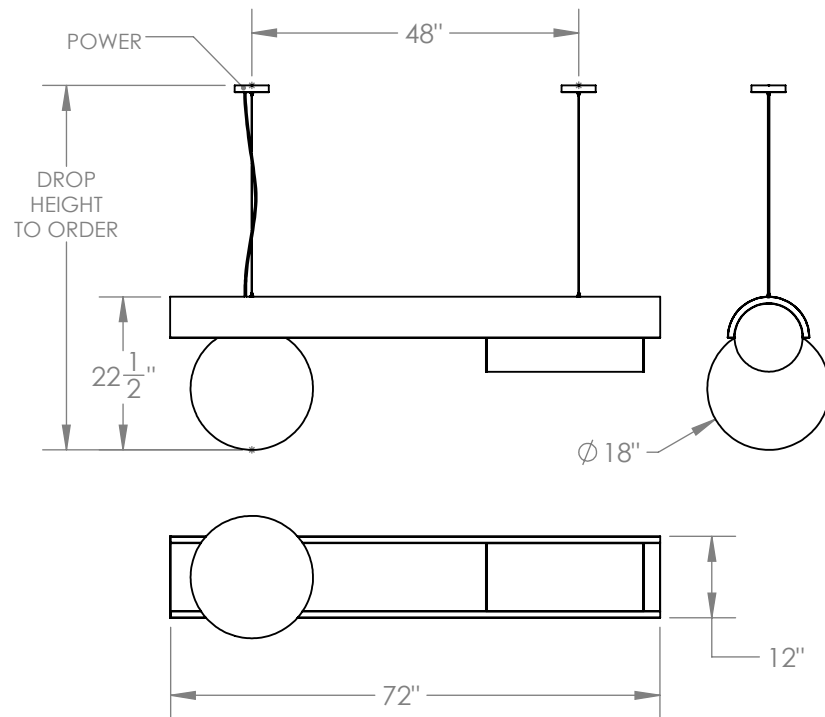
LUNA LIGHT



LUNA LIGHT



Inspired by the rare moments when a process called Rayleigh scattering gives the moon a magical rose glow, this fixture is designed to capture that effect. A curved antique brass shell holds an acrylic sphere and cylinder, which are hand-finished to achieve a rose alabaster glow.



Materials

Steel
Acrylic

Standard Finishes

Antique Brass

Notes

Lamping: 24v LED strip. 4400 lumens, 2700K color temperature. 120V.
Includes transformer.

Lead Time

8 to 10 weeks

Customization Available - please contact us.

triode³ design

28, rue Jacob 75006 Paris
+33 (0)1 43 29 40 05

contact@triodedesign.com
www.triodedesign.com