



Voyager 11 Orb Sconce



Handcrafted in USA

Fixture Dimensions

5" L x 5.5" W x 30.375" H

Finishes

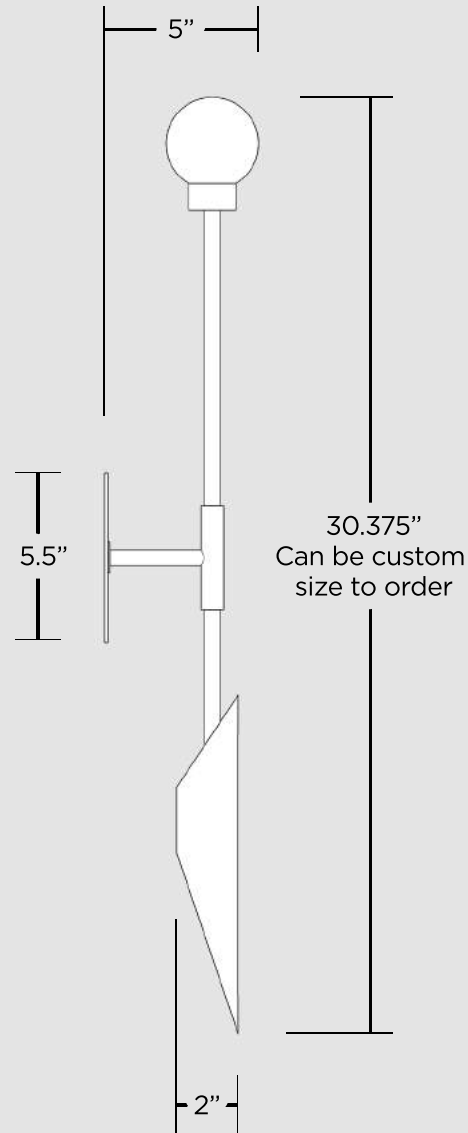
Available in any Allied Maker finish

Materials

Brass, Glass



Voyager 11 Orb Sconce



Overall Size

5" L x 5.5" W x 30.375" H

Canopy Size

5.5" Ø x 0.125" H

Shade Size

2" Ø x 11" L

Globe Diameter

3" Ø

Tube Diameter

1/2" Ø, 3/4" Ø

Lamping

2x 3.5W G9 LED

40W Equivalent

2700K / 80 CRI / 350 Lumen

G9 Bi-pin Base / Dimmable / 120 Volt

Certifications

UL and CE Certified

Suitable for damp locations

triode³ design

28, rue Jacob 75006 Paris
+33 (0)1 43 29 40 05

contact@triodedesign.com
www.triodedesign.com

Customization available upon request

+1 516 200 9145 • www.alliedmaker.com • studio@alliedmaker.com

