

THIN TASK LAMP S JPR-THSL

OVERVIEW

Dimmable LED desk lamp featuring a hinged arm and a freely rotating ball joint within a matte black cast iron base.

WEIGHT

7lbs

MATERIALS

PMMA, brass, cast iron

FINISH OPTIONS

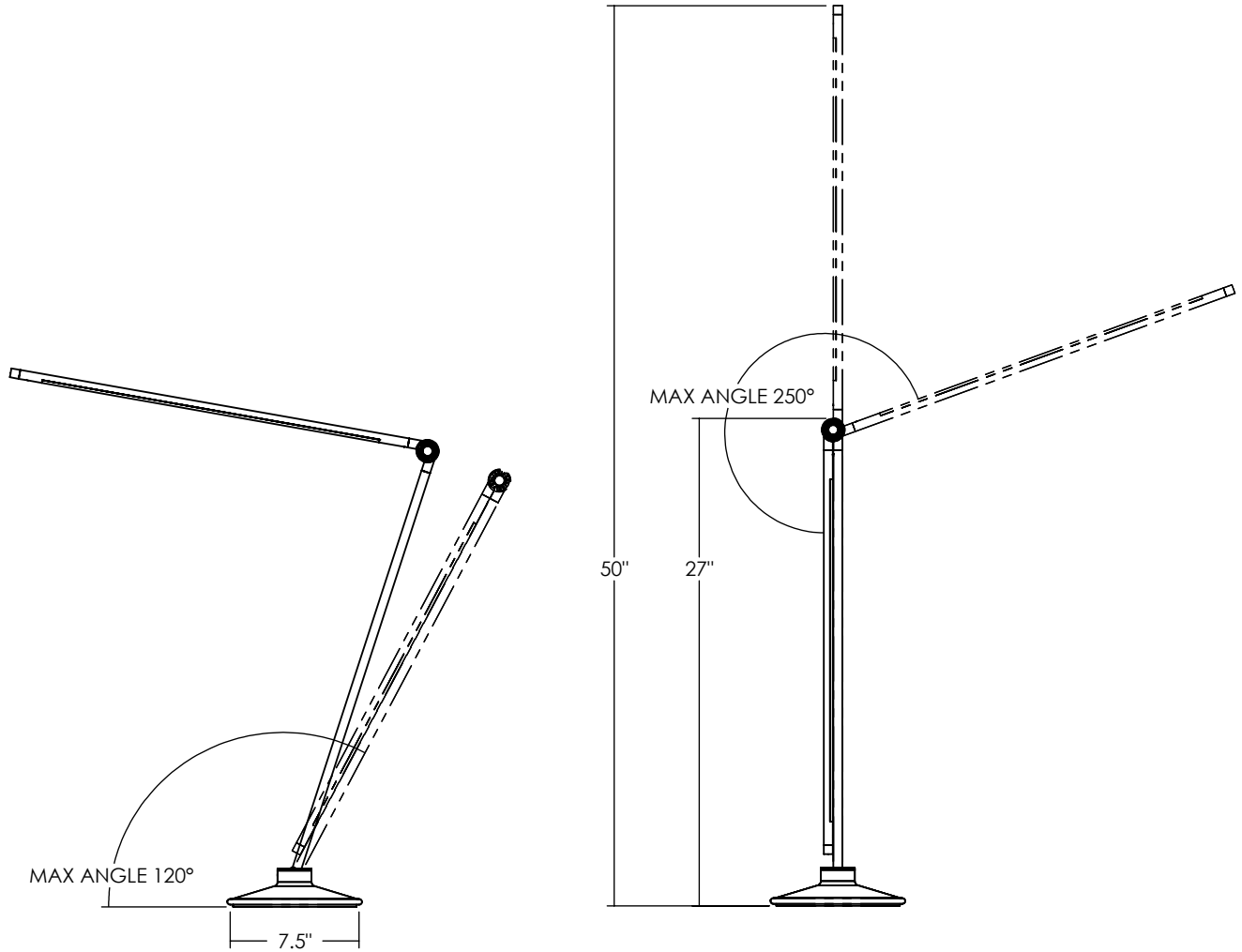
Black Oxide, Satin Brass, Satin Nickel

ILLUMINATION & POWER

0-600 LM, 3000K, 90CRI
Clear lens

6W total

12V 1A wall plug with 5' braided cord and interchangeable international pins included



THIN TASK LAMP T JPR-THTL

OVERVIEW

Dimmable LED desk lamp featuring a hinged arm and a freely rotating ball joint within a matte black cast iron base.

WEIGHT

11lbs

MATERIALS

PMMA, brass, cast iron

FINISH OPTIONS

Black Oxide, Satin Brass, Satin Nickel

ILLUMINATION & POWER

0-850 LM, 3000K, 90CRI
Clear lens

7W total

12V 1A wall plug with 5' braided cord and interchangeable international pins included