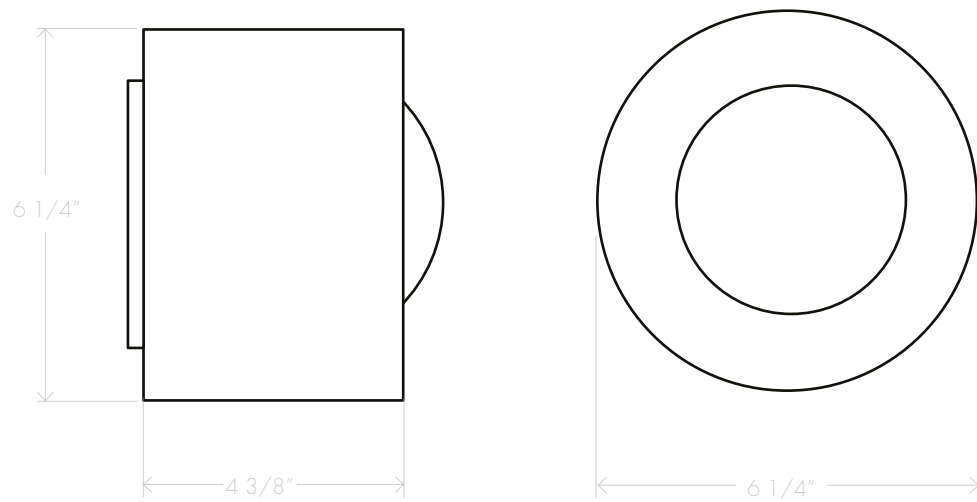


LADIESANDGENTLEMENSTUDIO.COM



SPUN SCONCE



LADIESANDGENTLEMENSTUDIO.COM

- blackened
- brass
- copper
- aluminum

appearance

materials copper, brass, maple, fabric cord, powder coated steel

finishes anodized aluminum, brass, copper, blackened metal

style options black or white diffuser panel

customize finish, cord, config. (clusters)

technical

socket/lamp E26 ; bulb: G25/G125 globe (incandescent recommended)

watt/volt max 75w; line voltage to 300v

compatibility most international

certification ul, cUL

weight 4 lb

lead time 8-10 weeks