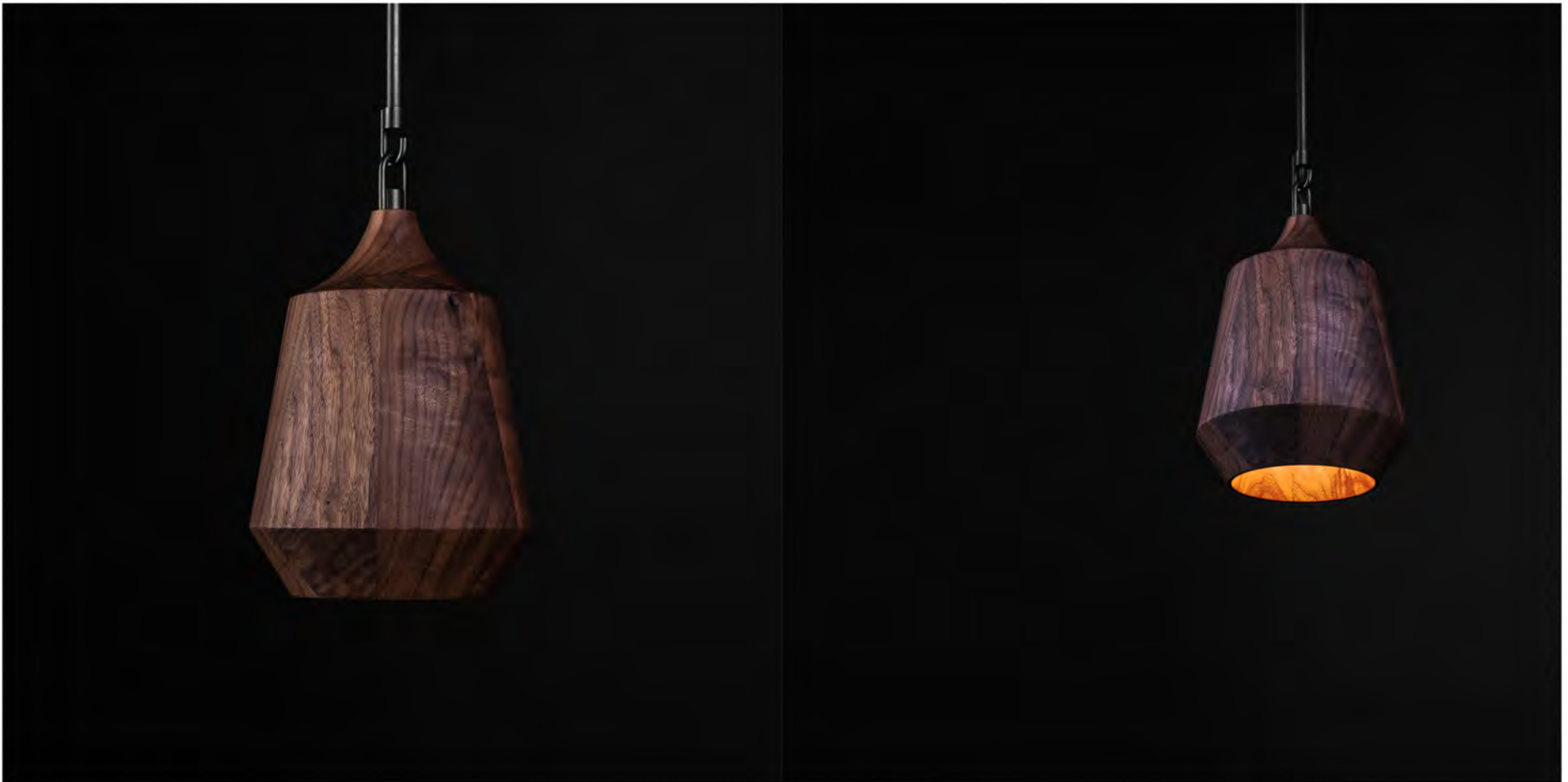




Paragon Pendant



Handcrafted in USA

The new Paragon Pendant achieves balance and symmetry in its form. The subtle angles and curves are inspired by 1930's streamlined design in which simple geometric outlines create a sense of flow and motion. Handcrafted from solid American hardwoods. Height is cut to order.

Fixture Dimensions

8" Ø x 13.625" H

Finishes

Available in any Allied Maker finish

Materials

Brass, Hardwood

Suspension

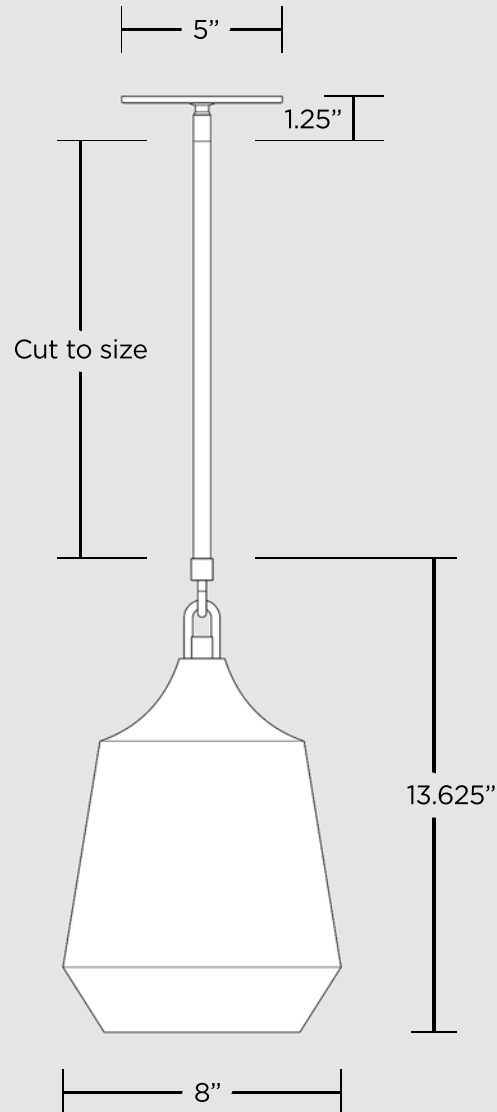
Metal tube, height cut to order

triode³ design





Paragon Pendant

**Pendant Size**

8" Ø x 13.625" H

Canopy Size

5" Ø x 1.25" H

Tube Diameter

0.5" Ø

Lamping

3.5W G16 LED Filament

40W Equivalent

2400K / 80 CRI / 325 Lumen

E26 Base / Dimmable / 120 Volt

Certifications

UL and CE Certified

Suitable for damp locations

triode³ design

28, rue Jacob 75006 Paris
+33 (0)1 43 29 40 05

contact@triodedesign.com
www.triodedesign.com

