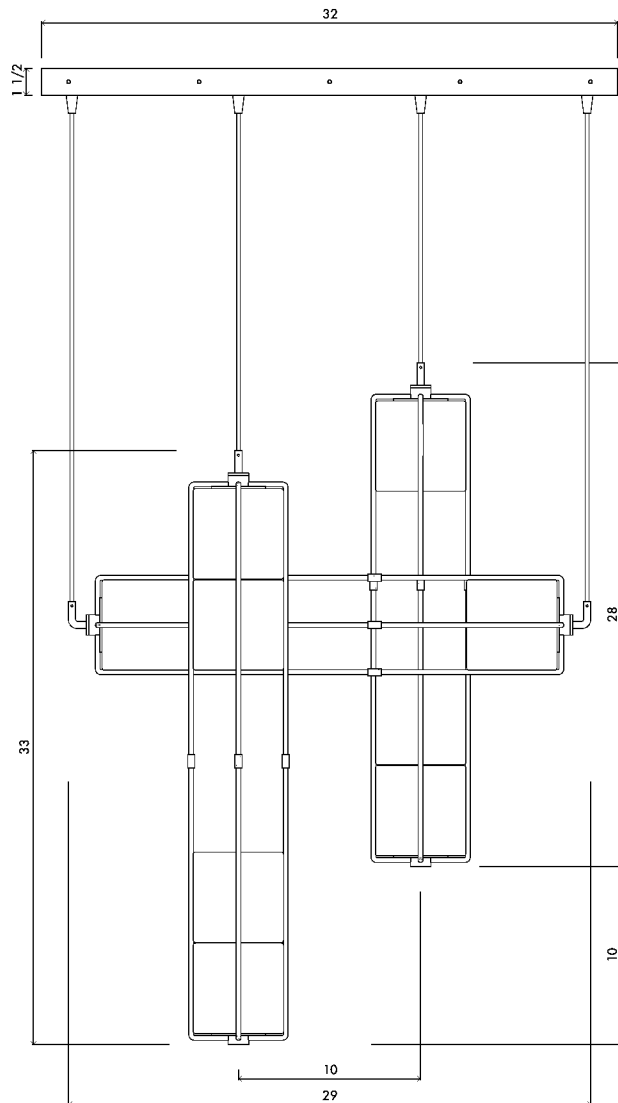
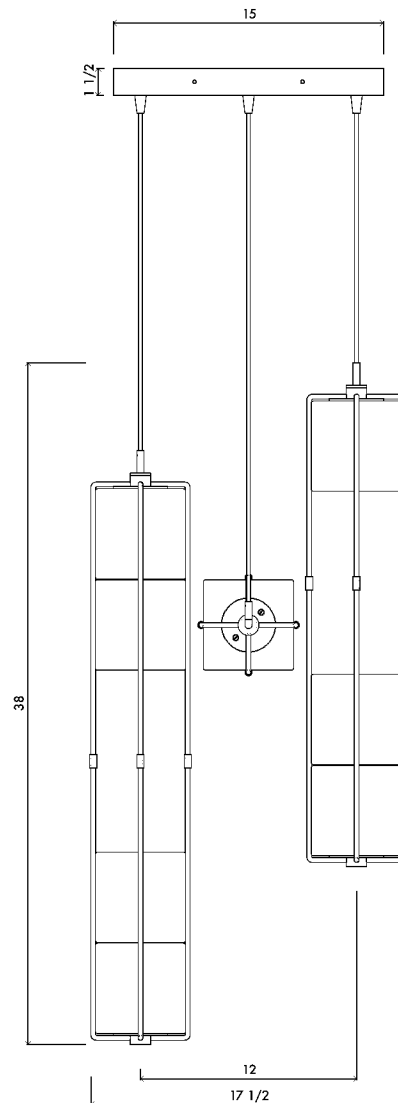


ALICE Chandelier



01
FRONT
1" = 3/32"



02
SIDE
1" = 3/32"

Handmade in Los Angeles.
Hardwired.

FINISHES

Frame, canopy and hardware in unfinished brass or blackened brass.
Hand-blown, sandblasted white or clear textured glass cubes.
Black cloth cord.

DIMENSIONS

Width 29" | 73.6 cm |
Depth 17 1/2" | 44.5 cm |
Height 38" | 96.5 cm |

LAMPING

6 X mini bi-pin socket
6 X G4 LED bulb 4W equivalent to 40W (provided)
120 V / 240 V
UL, CE Listed.

