



# ADA Aperture Sconce



**Handcrafted in USA**

**Fixture Dimensions**

4" L x 10" W x 11.5" H

**Finishes**

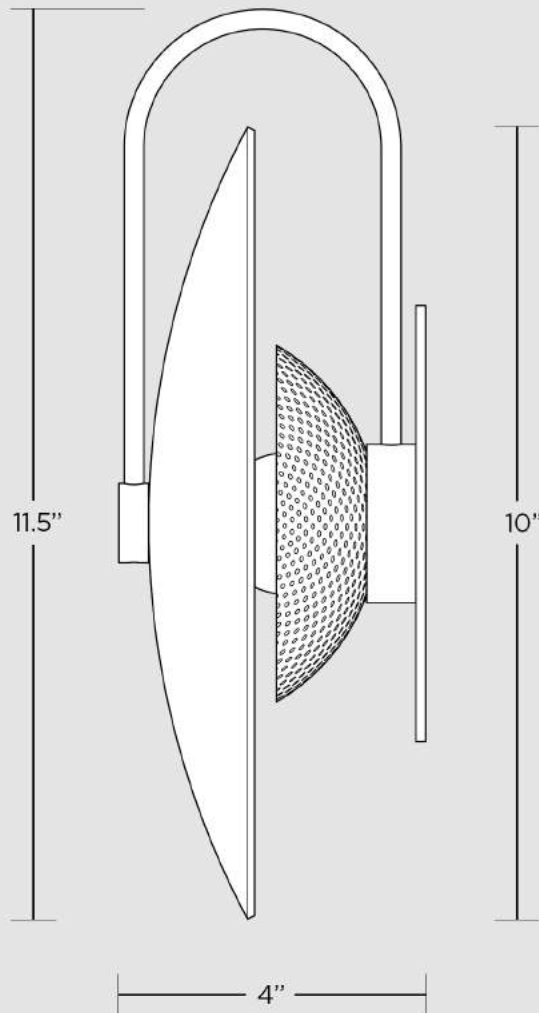
Available in any Allied Maker finish

**Materials**

Brass, Glass



# ADA Aperture Sconce



## Overall Size

4" L x 10" W x 11.5" H

## Canopy Size

5.5"  $\varnothing$  x 0.125" H

## Glass Dome Size

10"  $\varnothing$  x 1.375" H

## Perforated Dome Size

4.5"  $\varnothing$  x 1.25" H

## Tube Diameter

0.25"  $\varnothing$

## Lamping

1x 7W G16.5 LED

60W Equivalent

2700K / 82 CRI / 500 Lumen

E12 Base / Dimmable / 120 Volt

## Certifications

UL and CE Certified

Suitable for damp locations

triode<sup>3</sup> design

28, rue Jacob 75006 Paris  
+33 (0)1 43 29 40 05

contact@triodedesign.com  
www.triodedesign.com

Customization available upon request

+1 516 200 9145 • [www.alliedmaker.com](http://www.alliedmaker.com) • [studio@alliedmaker.com](mailto:studio@alliedmaker.com)

