



TWIG™

SCONCE

A MODERN SOLUTION FOR DIRECTIONAL LIGHTING.

A BRASS ARMATURE AND SHADE EMIT A SOFT POOL
OF LIGHT. SOLID OR TWO-TONE.

© 2015, APPARATUS LLC

—
triode³ design

—
28, rue Jacob 75006 Paris
+33 (0)1 43 29 40 05

—
contact@triodesign.com
www.triodesign.com

TWIG™

SCONCE

DIMENSIONS: 14" H, 5" W, 6" D

LAMPING: MAX 60W EACH

1 6W DIMMABLE LED BULB INCLUDED

480 LUMENS EACH, 2500K COLOR TEMPERATURE

BULB LIFE: 30,000 HOURS

120V: E26 GLOBE LG: MATTE WHITE, Ø 3"

240V: E27 GLOBE LG: MATTE WHITE, Ø 3"

CE / UL APPROVED

VOLTAGE: 120-240

FINISHED AND ASSEMBLED BY HAND IN NY FROM
DOMESTIC AND IMPORTED COMPONENTS.

CUSTOMIZATION AVAILABLE.

ALL PIECES MADE TO ORDER.

50% DEPOSIT REQUIRED.

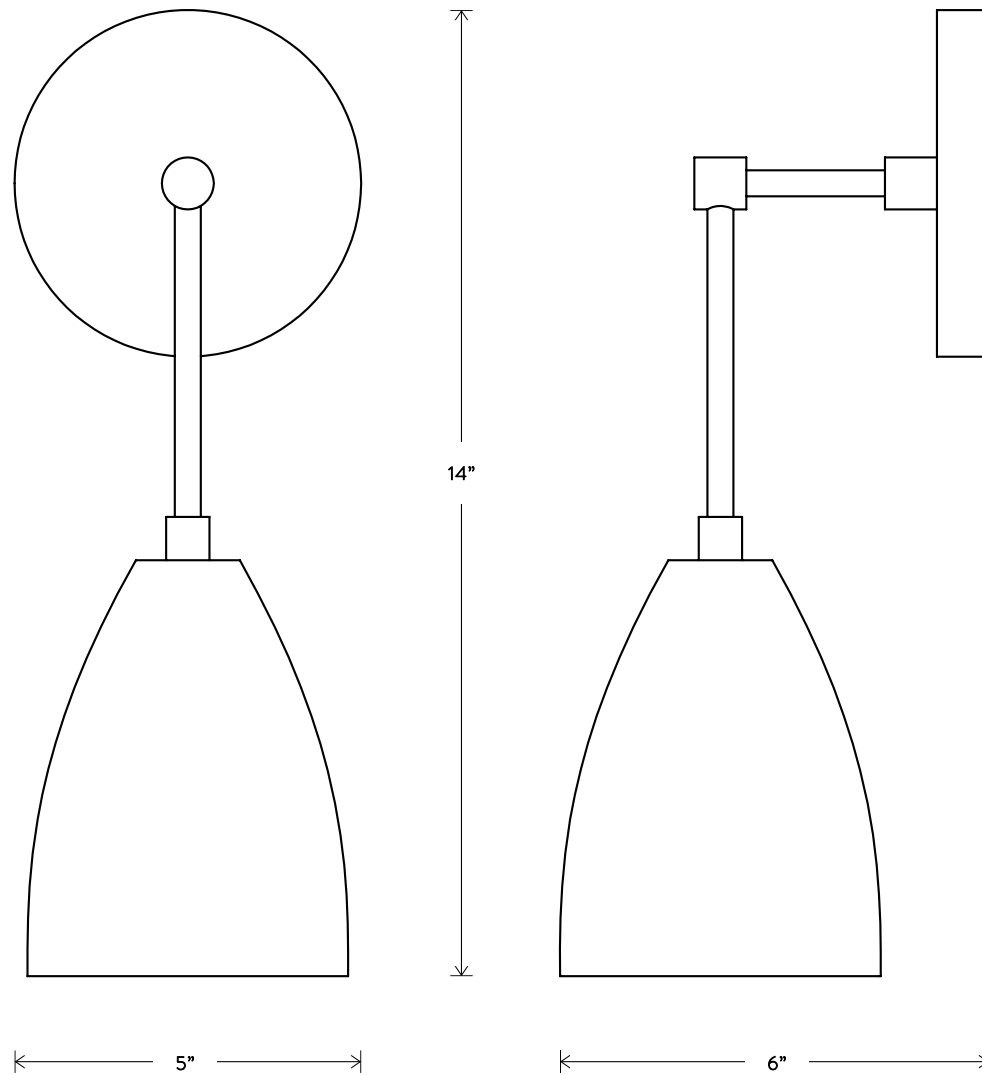
BALANCE DUE PRIOR TO SHIPPING.

LEAD TIME APPROXIMATELY 8-10 WEEKS.

FINISHES TO ORDER

ADD 30% FOR TARNISHED SILVER

© 2015, APPARATUS LLC



[← RETURN TO THUMBNAILS](#)

METAL FINISHES

APPARATUS FINISHES ARE CREATED IN OUR MANHATTAN STUDIO BY OUR TEAM OF ARTISANS. RAW BRASS COMPONENTS ARE PATINATED TO REVEAL THE LAYERS OF IMPERFECT BEAUTY IN THE MATERIAL.

METAL

AGED BRASS

OIL-RUBBED BRONZE

BLACKENED BRASS

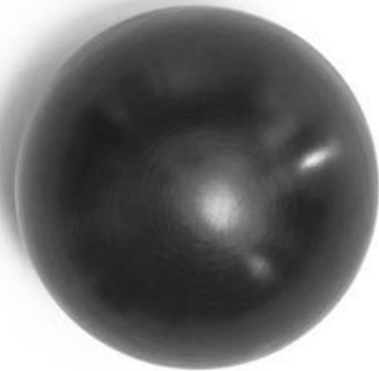
TARNISHED SILVER (ADD 30%)



AGED BRASS



OIL-RUBBED BRONZE



BLACKENED BRASS



TARNISHED SILVER

triode³ design

28, rue Jacob 75006 Paris
+33 (0)1 43 29 40 05

contact@triodedesign.com
www.triodedesign.com