



## TRAPEZE™ 1

INSPIRED BY THE TENSION AND DYNAMICS OF THE  
CIRCUS ACT. AVAILABLE WITH EITHER BRASS OR  
HAND-CAST PORCELAIN BOWLS.

© 2014, APPARATUS LLC  
Patent No. D767,197

triode<sup>3</sup> design

—  
28, rue Jacob 75006 Paris  
+33 (0)1 43 29 40 05

—  
contact@triodedesign.com  
www.triodedesign.com

# TRAPEZE™ 1

DIMENSIONS: Ø6", 4.25" D

LAMPING: MAX 60W EACH

1 3W DIMMABLE LED BULB INCLUDED

240 LUMENS EACH, 2500K COLOR TEMPERATURE

BULB LIFE: 30,000 HOURS

120V: E12 GLOBE SM: MATTE WHITE, Ø 1.75"

240V: E14 GLOBE SM: MATTE WHITE, Ø 1.75"

CE / UL APPROVED

VOLTAGE: 120-240

FINISHED AND ASSEMBLED BY HAND IN NY FROM  
DOMESTIC AND IMPORTED COMPONENTS.

CUSTOMIZATION AVAILABLE.

ALL PIECES MADE TO ORDER.

50% DEPOSIT REQUIRED.

BALANCE DUE PRIOR TO SHIPPING.

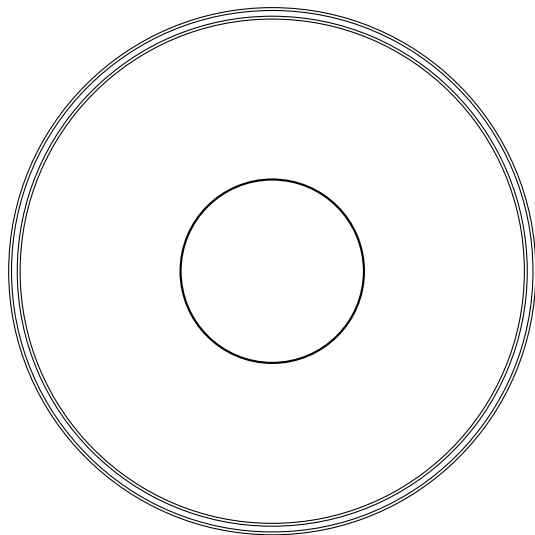
LEAD TIME APPROXIMATELY 8-10 WEEKS.

FINISHES TO ORDER

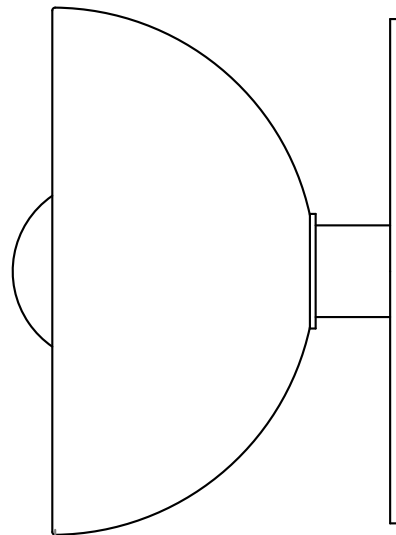
ADD 30% FOR TARNISHED SILVER

© 2014, APPARATUS LLC

Patent No. D767,197



6"



4.25"

5.5"

[← RETURN TO THUMBNAILS](#)



## TRAPEZE™ 2

INSPIRED BY THE TENSION AND DYNAMICS OF THE CIRCUS ACT. AVAILABLE WITH EITHER BRASS OR HAND-CAST PORCELAIN BOWLS WHICH CAN BE ROTATED AROUND THE CENTRAL AXIS.

© 2014, APPARATUS LLC  
Patent No. D767,197

—  
triode<sup>3</sup> design

—  
28, rue Jacob 75006 Paris  
+33 (0)1 43 29 40 05

—  
contact@triodedesign.com  
www.triodedesign.com

# TRAPEZE™ 2

DIMENSIONS: 24" W, 5.5" D

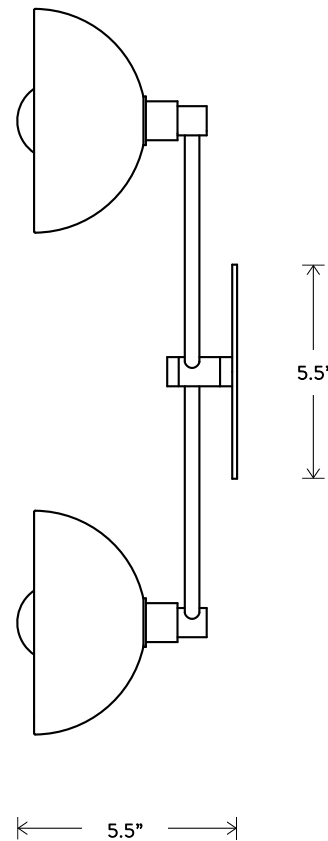
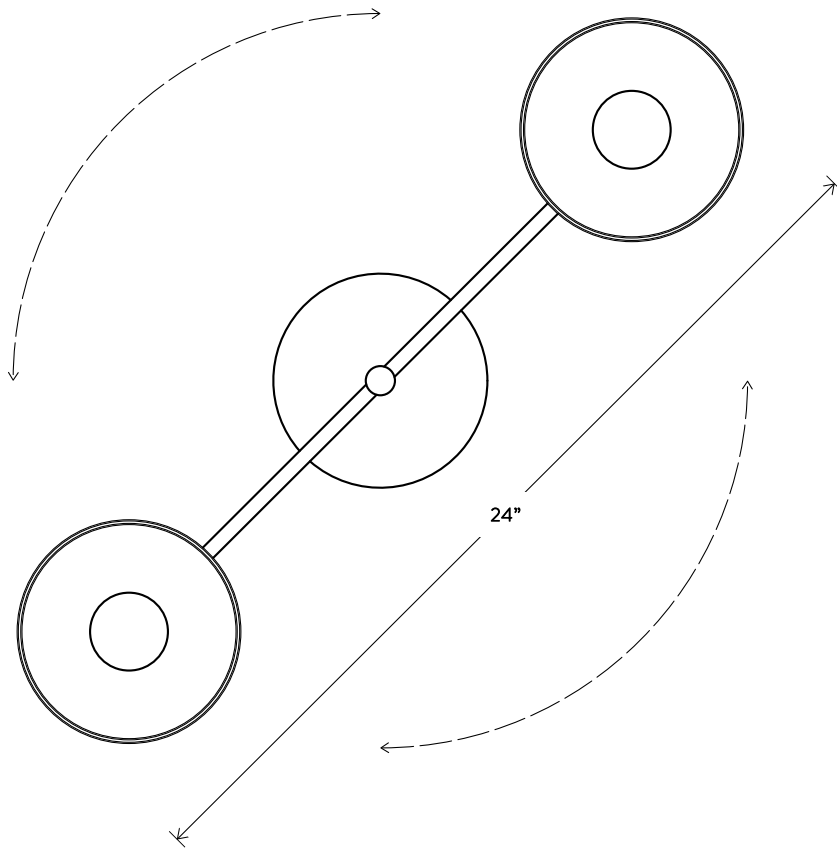
LAMPING: MAX 60W EACH  
2 3W DIMMABLE LED BULBS INCLUDED  
240 LUMENS EACH, 2500K COLOR TEMPERATURE  
BULB LIFE: 30,000 HOURS  
120V: E12 GLOBE SM: MATTE WHITE, Ø 1.75"  
240V: E14 GLOBE SM: MATTE WHITE, Ø 1.75"

CE / UL APPROVED  
VOLTAGE: 120-240

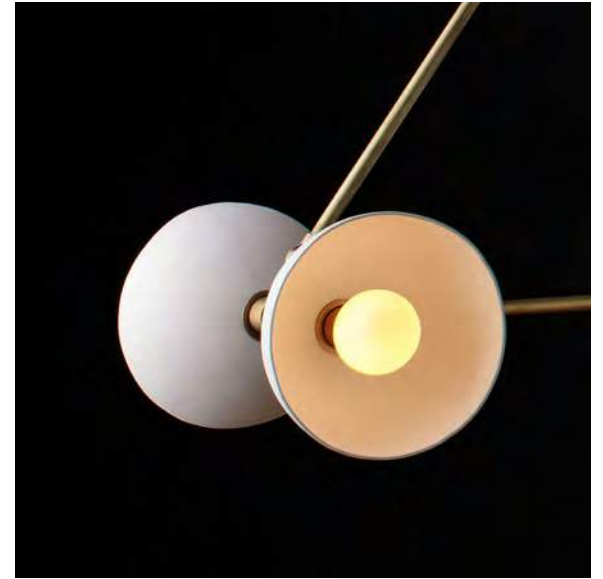
FINISHED AND ASSEMBLED BY HAND IN NY FROM  
DOMESTIC AND IMPORTED COMPONENTS.  
CUSTOMIZATION AVAILABLE.  
ALL PIECES MADE TO ORDER.  
50% DEPOSIT REQUIRED.  
BALANCE DUE PRIOR TO SHIPPING.  
LEAD TIME APPROXIMATELY 8-10 WEEKS.

FINISHES TO ORDER  
ADD 30% FOR TARNISHED SILVER

© 2014, APPARATUS LLC  
Patent No. D767,197



[← RETURN TO THUMBNAILS](#)



## TRAPEZE™ 4

INSPIRED BY THE TENSION AND DYNAMICS OF THE CIRCUS ACT, THIS PENDANT IS A TRIANGLE FIXED IN SPACE. UNINTERRUPTED LINES SUSPEND GLOWING CIRCLES FROM THE CEILING CREATING SOFT LIGHT AND GRAPHIC APPEAL. AVAILABLE WITH EITHER BRASS OR HAND-CAST PORCELAIN BOWLS.

© 2014, APPARATUS LLC  
Patent No. D767,197

triode<sup>3</sup> design

—  
28, rue Jacob 75006 Paris  
+33 (0)1 43 29 40 05

—  
contact@triodedesign.com  
www.triodedesign.com

# TRAPEZE™ 4

DIMENSIONS: 19" W, 10.5" D  
HEIGHT TO ORDER  
INCLUDES UP TO 60"  
ADDITIONAL HEIGHT AVAILABLE  
MINIMUM HEIGHT 16"

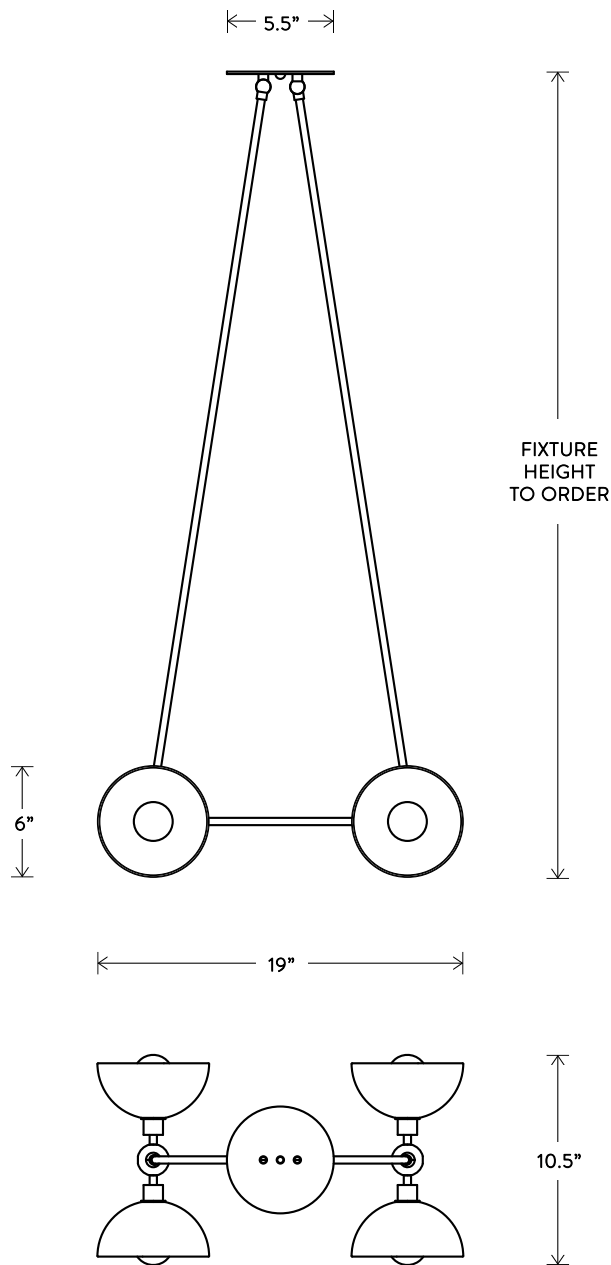
LAMPING: MAX 60W EACH  
4 3W DIMMABLE LED BULBS INCLUDED  
240 LUMENS EACH, 2500K COLOR TEMPERATURE  
BULB LIFE: 30,000 HOURS  
120V: E12 GLOBE SM: MATTE WHITE, Ø 1.75"  
240V: E14 GLOBE SM: MATTE WHITE, Ø 1.75"

CE / UL APPROVED  
VOLTAGE: 120-240

FINISHED AND ASSEMBLED BY HAND IN NY FROM  
DOMESTIC AND IMPORTED COMPONENTS.  
CUSTOMIZATION AVAILABLE.  
ALL PIECES MADE TO ORDER.  
50% DEPOSIT REQUIRED.  
BALANCE DUE PRIOR TO SHIPPING.  
LEAD TIME APPROXIMATELY 8-10 WEEKS.

FINISHES TO ORDER  
ADD 30% FOR TARNISHED SILVER

© 2014, APPARATUS LLC  
Patent No. D767,197



[← RETURN TO THUMBNAILS](#)



## TRAPEZE™ 6

INSPIRED BY THE TENSION AND DYNAMICS OF THE CIRCUS ACT, THIS PENDANT IS A TRIANGLE FIXED IN SPACE. UNINTERRUPTED LINES SUSPEND GLOWING CIRCLES FROM THE CEILING CREATING SOFT LIGHT AND GRAPHIC APPEAL. AVAILABLE WITH EITHER BRASS OR HAND-CAST PORCELAIN BOWLS.

© 2014, APPARATUS LLC  
Patent No. D767,197

—  
**triode**<sup>3</sup> design  
—

28, rue Jacob 75006 Paris  
+33 (0)1 43 29 40 05

—  
contact@triodedesign.com  
www.triodedesign.com

# TRAPEZE™ 6

DIMENSIONS: 32" W, 10.5" D

HEIGHT TO ORDER

INCLUDES UP TO 60"

ADDITIONAL HEIGHT AVAILABLE

MINIMUM HEIGHT 16"

LAMPING: MAX 60W EACH

6 3W DIMMABLE LED BULBS INCLUDED

240 LUMENS EACH, 2500K COLOR TEMPERATURE

BULB LIFE: 30,000 HOURS

120V: E12 GLOBE SM: MATTE WHITE, Ø 1.75"

240V: E14 GLOBE SM: MATTE WHITE, Ø 1.75"

CE / UL APPROVED

VOLTAGE: 120-240

FINISHED AND ASSEMBLED BY HAND IN NY FROM  
DOMESTIC AND IMPORTED COMPONENTS.

CUSTOMIZATION AVAILABLE.

ALL PIECES MADE TO ORDER.

50% DEPOSIT REQUIRED.

BALANCE DUE PRIOR TO SHIPPING.

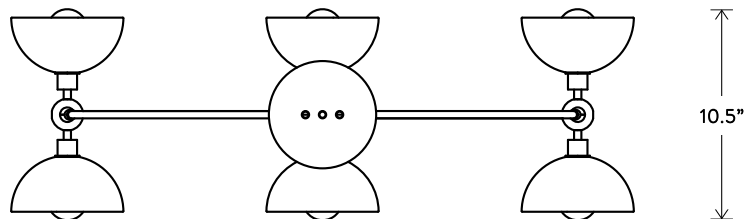
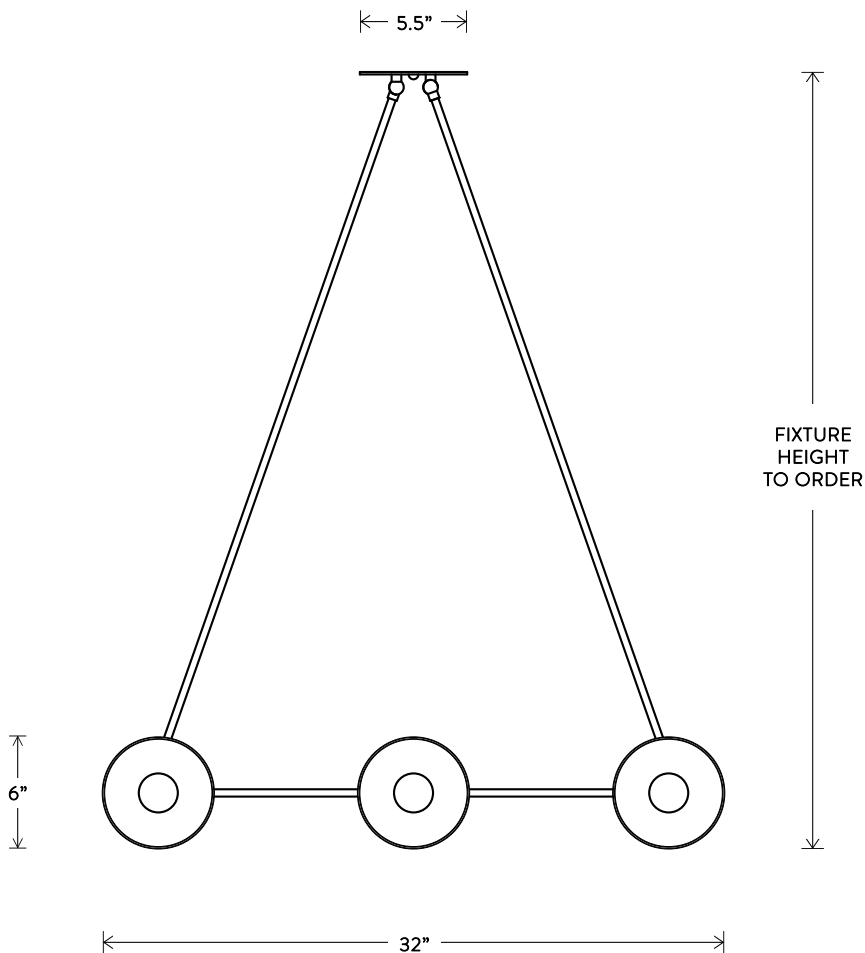
LEAD TIME APPROXIMATELY 8-10 WEEKS.

FINISHES TO ORDER

ADD 30% FOR TARNISHED SILVER

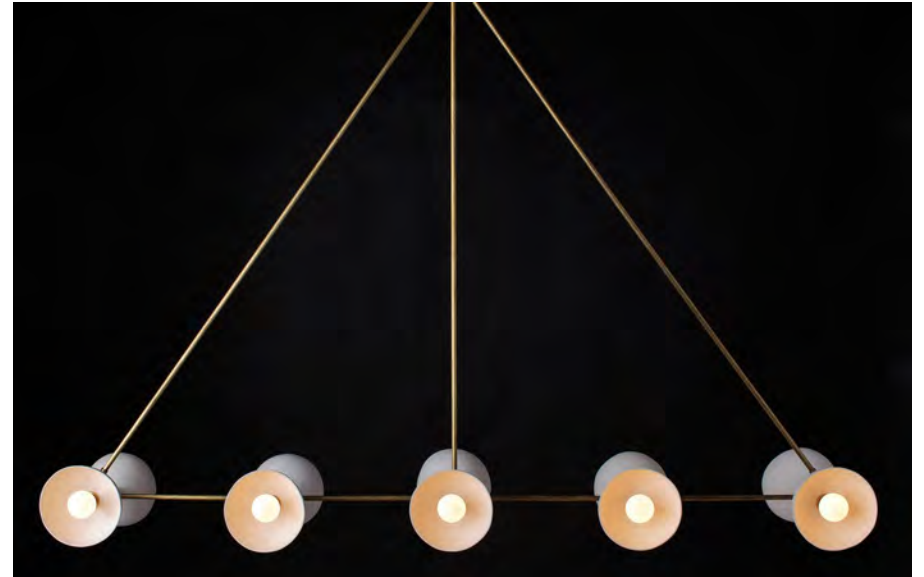
© 2014, APPARATUS LLC

Patent No. D767,197



[← RETURN TO THUMBNAILS](#)





## TRAPEZE™ 10

INSPIRED BY THE TENSION AND DYNAMICS OF THE CIRCUS ACT, THIS PENDANT IS A TRIANGLE FIXED IN SPACE. UNINTERRUPTED LINES SUSPEND GLOWING CIRCLES FROM THE CEILING CREATING SOFT LIGHT AND GRAPHIC APPEAL. AVAILABLE WITH EITHER BRASS OR HAND-CAST PORCELAIN BOWLS.

© 2014, APPARATUS LLC  
Patent No. D767,197

triode<sup>3</sup> design

—  
28, rue Jacob 75006 Paris  
+33 (0)1 43 29 40 05

—  
contact@triodedesign.com  
www.triodedesign.com

# TRAPEZE™ 10

DIMENSIONS: 58" W, 10.5" D  
HEIGHT TO ORDER  
INCLUDES UP TO 60"  
ADDITIONAL HEIGHT AVAILABLE  
MINIMUM HEIGHT 16"

LAMPING: MAX 60W EACH  
10 3W DIMMABLE LED BULBS INCLUDED  
240 LUMENS EACH, 2500K COLOR TEMPERATURE  
BULB LIFE: 30,000 HOURS  
120V: E12 GLOBE SM: MATTE WHITE, Ø 1.75"  
240V: E14 GLOBE SM: MATTE WHITE, Ø 1.75"

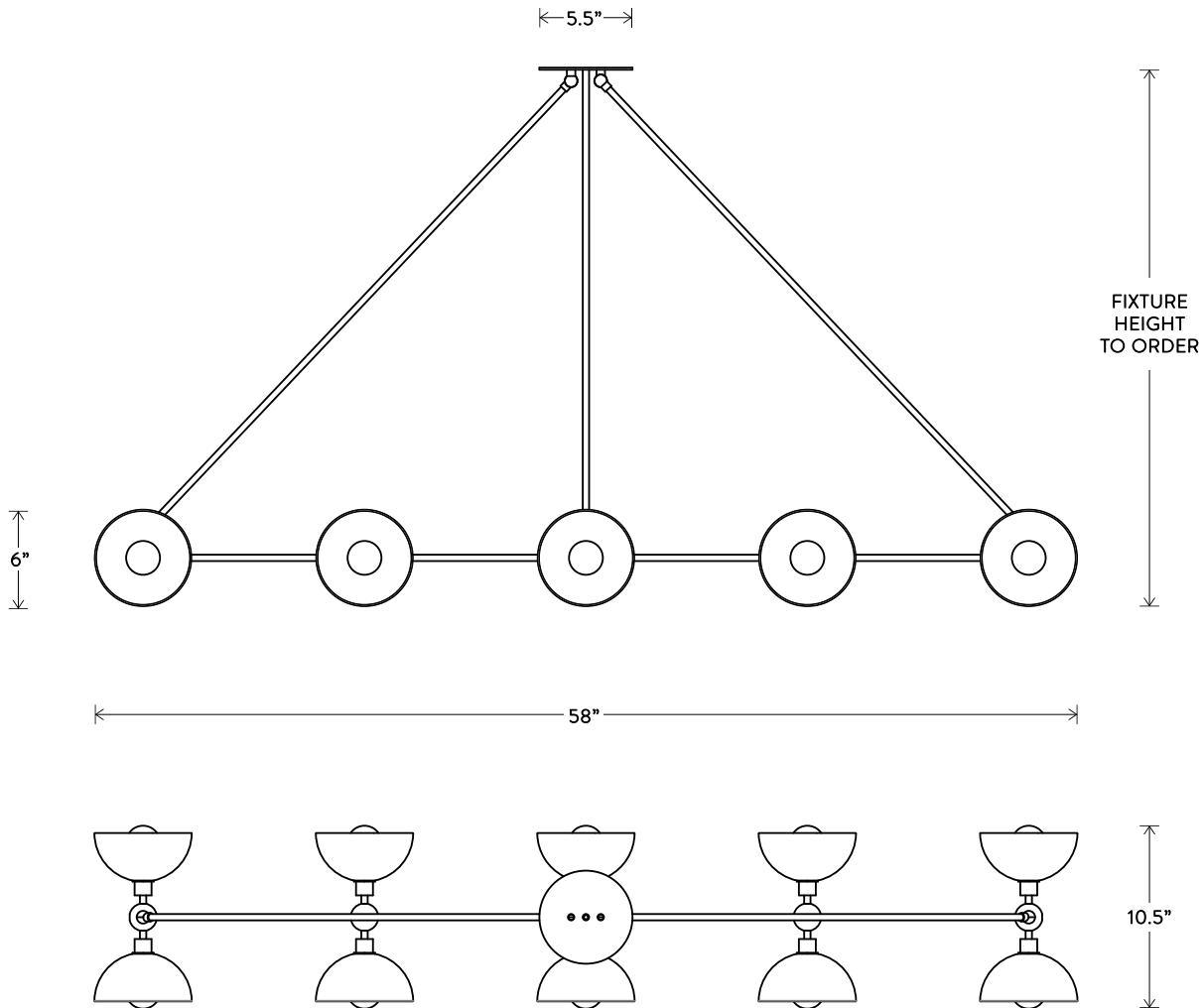
CE / UL APPROVED  
VOLTAGE: 120-240

FINISHED AND ASSEMBLED BY HAND IN NY FROM  
DOMESTIC AND IMPORTED COMPONENTS.  
CUSTOMIZATION AVAILABLE.  
ALL PIECES MADE TO ORDER.  
50% DEPOSIT REQUIRED.  
BALANCE DUE PRIOR TO SHIPPING.  
LEAD TIME APPROXIMATELY 8-10 WEEKS.

FINISHES TO ORDER  
ADD 30% FOR TARNISHED SILVER

© 2014, APPARATUS LLC  
Patent No. D767,197

[← RETURN TO THUMBNAILS](#)



## METAL FINISHES

APPARATUS FINISHES ARE CREATED IN OUR MANHATTAN STUDIO BY OUR TEAM OF ARTISANS. RAW BRASS COMPONENTS ARE PATINATED TO REVEAL THE LAYERS OF IMPERFECT BEAUTY IN THE MATERIAL.

### METAL

AGED BRASS

OIL-RUBBED BRONZE

BLACKENED BRASS

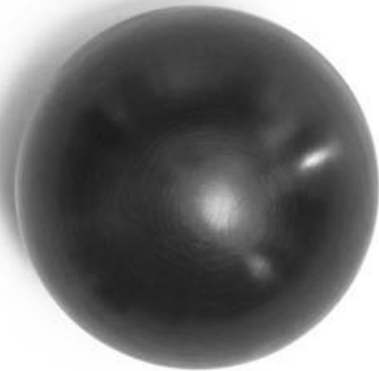
TARNISHED SILVER (ADD 30%)



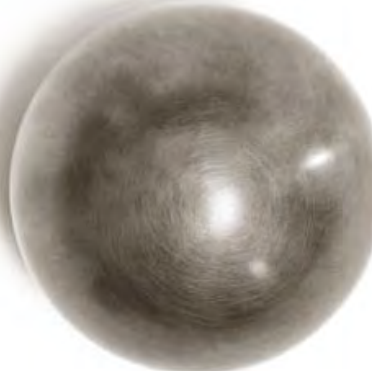
AGED BRASS



OIL-RUBBED BRONZE



BLACKENED BRASS



TARNISHED SILVER

triode<sup>3</sup> design

28, rue Jacob 75006 Paris  
+33 (0)1 43 29 40 05

contact@triodedesign.com  
www.triodedesign.com