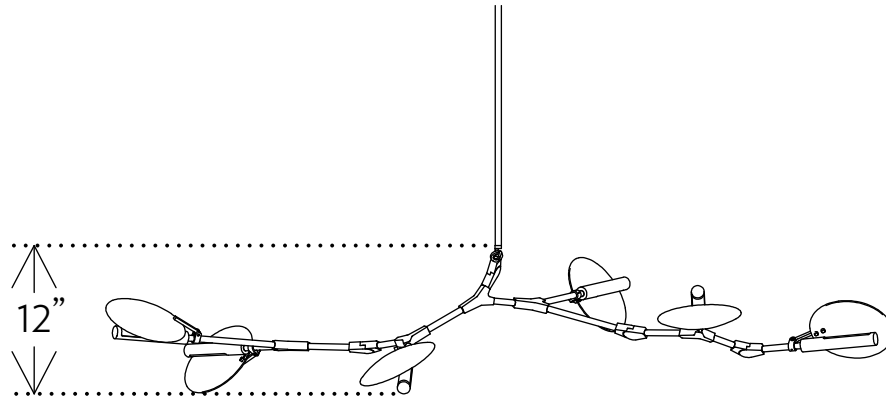




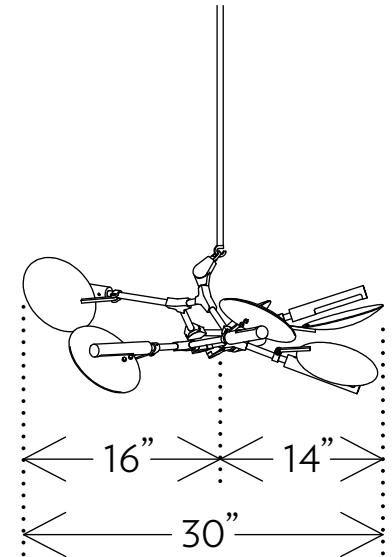
BRANCHING DISC BD.06.02

H 12in/30cm W 66in/168cm D 30in/76cm WT 15lb/7kg Available with 7" porcelain shades or 7" spun brass shades

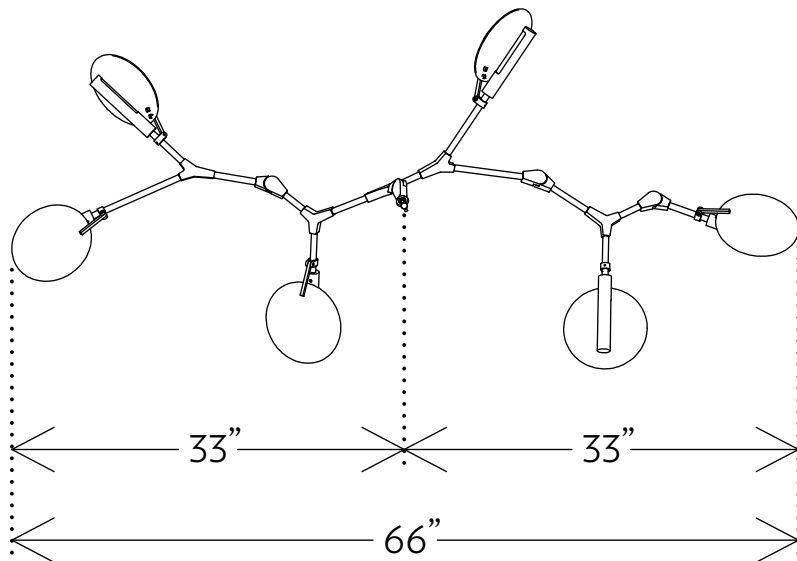
FRONT



SIDE



TOP



triode³ design

28, rue Jacob 75006 Paris
+33 (0)1 43 29 40 05

contact@triodedesign.com
www.triodedesign.com



BRANCHING DISC

Inspired by natural phenomena, Branching explores the visual tension that results from mixing handmade porcelain with machine-made metal parts. Lindsey Adelman and her team design and build each fixture in their Manhattan studio.

SUSPENSION Includes 36" or 72" stem that can be cut on-site. Longer lengths available upon request

CANOPY Ø 5" x H 1.5"

MATERIALS Machined Brass Porcelain

SHADES 7" brass dome shade or 7" porcelain dome shade

BULBS	BULB TYPE	WATTAGE	BRIGHTNESS	TEMPERATURE
	24V LED	2W	128 Lumens	2700K

TRANSFORMER	INPUT	MODEL	DIMENSIONS	DIMMING
	110V-220V	ESSO15W-0500-32	L 3.5" x W 1.625" x H 1"	ELV Dimmer recommended (reverse-phase or trailing-edge) Also compatible with TRIAC (forward-phase or leading-edge at 120V only) and 0-10 V dimmers

