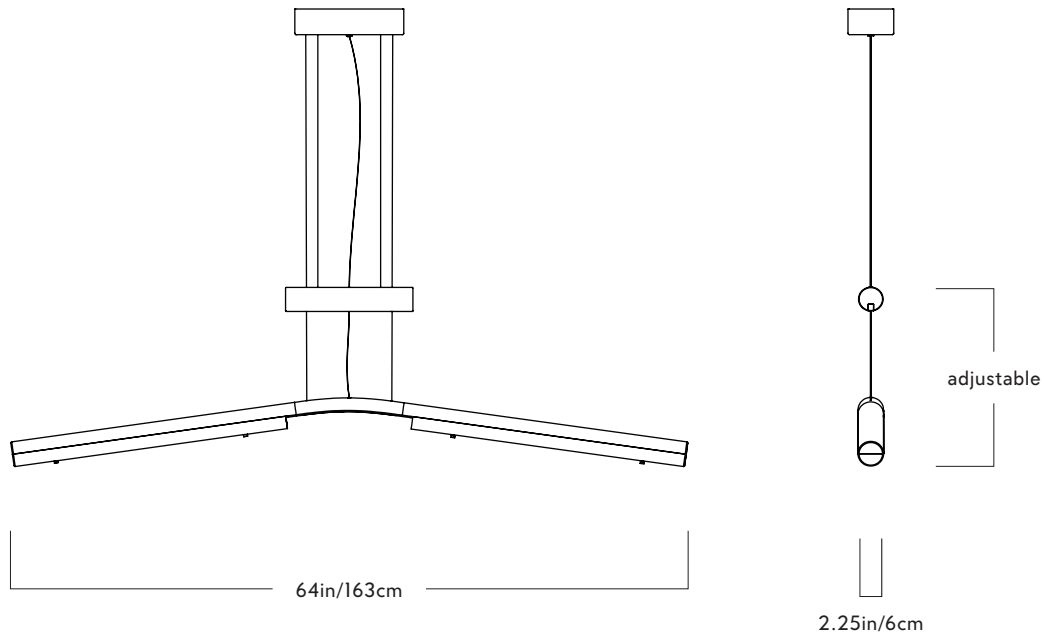


Roll & Hill



Counterweight

Series
Counterweight

Product
Pendant

Lead Time
12 weeks

Dimensions
L 64in/163cm x W 2.25in/6cm x
H adjustable

Weight
13lb/6kg

Pendant

Materials
Wood, brass, Carrera marble, glass

Finishes
Ash/brass, walnut/brass

Suspension
Aircraft cable

Canopy
10 x 4-inch rectangle in matching metal
finish

Dimmer Compatibility
Triac/Phase-Cut

120V Illumination
LED
Wattage: 28 Watts
Lumens: 2700 Lumens
Color Temperature: 2700
Life Hours: 50,000

240V Illumination
LED
Wattage: 28 Watts
Lumens: 2700 Lumens
Color Temperature: 2700
Life Hours: 50,000

triode³ design

28, rue Jacob 75006 Paris
+33 (0)1 43 29 40 05

contact@triodedesign.com
www.triodedesign.com