



CIRCUIT™ 2 PENDANT HORIZONTAL

THE CIRCUIT SERIES CREATES RHYTHM WITH THE REPETITION OF PURE SHAPES. A GLOWING GLASS CAPSULE NESTS IN A BRASS SHADE, BECOMING A CONTAINED FORM THAT MULTIPLIES TO CONSTRUCT LARGER FIXTURES.

© 2016, APPARATUS LLC

—
triode³ design

—
28, rue Jacob 75006 Paris
+33 (0)1 43 29 40 05

—
contact@triodedesign.com
www.triodedesign.com

CIRCUIT™ 2 PENDANT HORIZONTAL

DIMENSIONS: 18" W, 8" D
HEIGHT TO ORDER
MINIMUM HEIGHT 24"
INCLUDES UP TO 60"
ADDITIONAL HEIGHT AVAILABLE

LAMPING: 2 16W DIMMABLE LED MODULES
1700 LUMENS EACH, 2700K COLOR TEMPERATURE
LED ONBOARD DRIVER
BULB LIFE: 50,000 HOURS

CE / UL APPROVED
VOLTAGE: 120-240

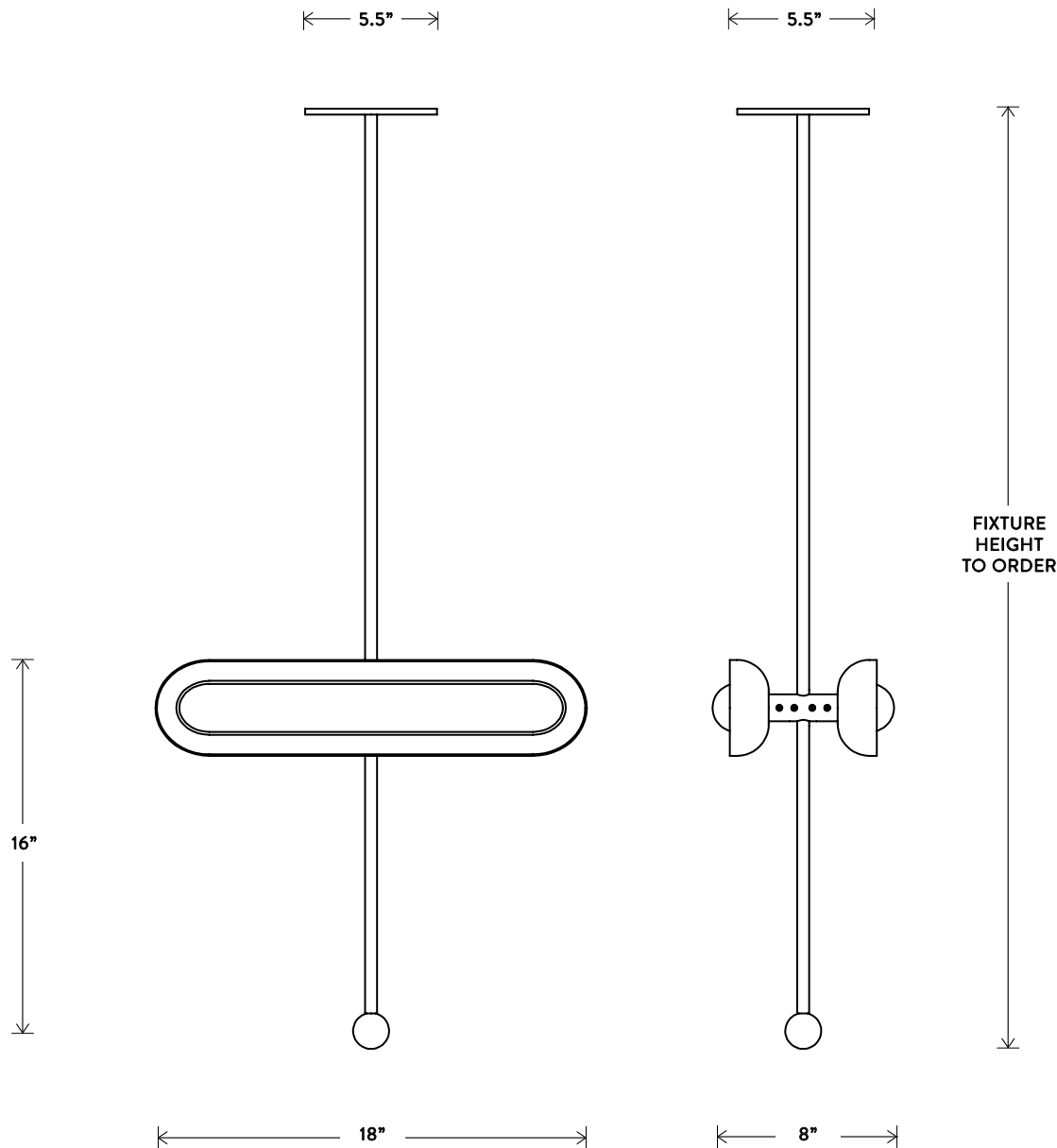
FINISHED AND ASSEMBLED BY HAND IN NY FROM
DOMESTIC AND IMPORTED COMPONENTS.
CUSTOMIZATION AVAILABLE.
ALL PIECES MADE TO ORDER.
50% DEPOSIT REQUIRED.
BALANCE DUE PRIOR TO SHIPPING.
LEAD TIME APPROXIMATELY 8-10 WEEKS.

FINISHES TO ORDER
ADD 15% FOR TARNISHED SILVER

REQUIRES A MAGNETIC LOW VOLTAGE DIMMER

© 2016, APPARATUS LLC

[◀ RETURN TO THUMBNAILS](#)





CIRCUIT™ 2 PENDANT VERTICAL

THE CIRCUIT SERIES CREATES RHYTHM WITH THE REPETITION OF PURE SHAPES. A GLOWING GLASS CAPSULE NESTS IN A BRASS SHADE, BECOMING A CONTAINED FORM THAT MULTIPLIES TO CONSTRUCT LARGER FIXTURES.

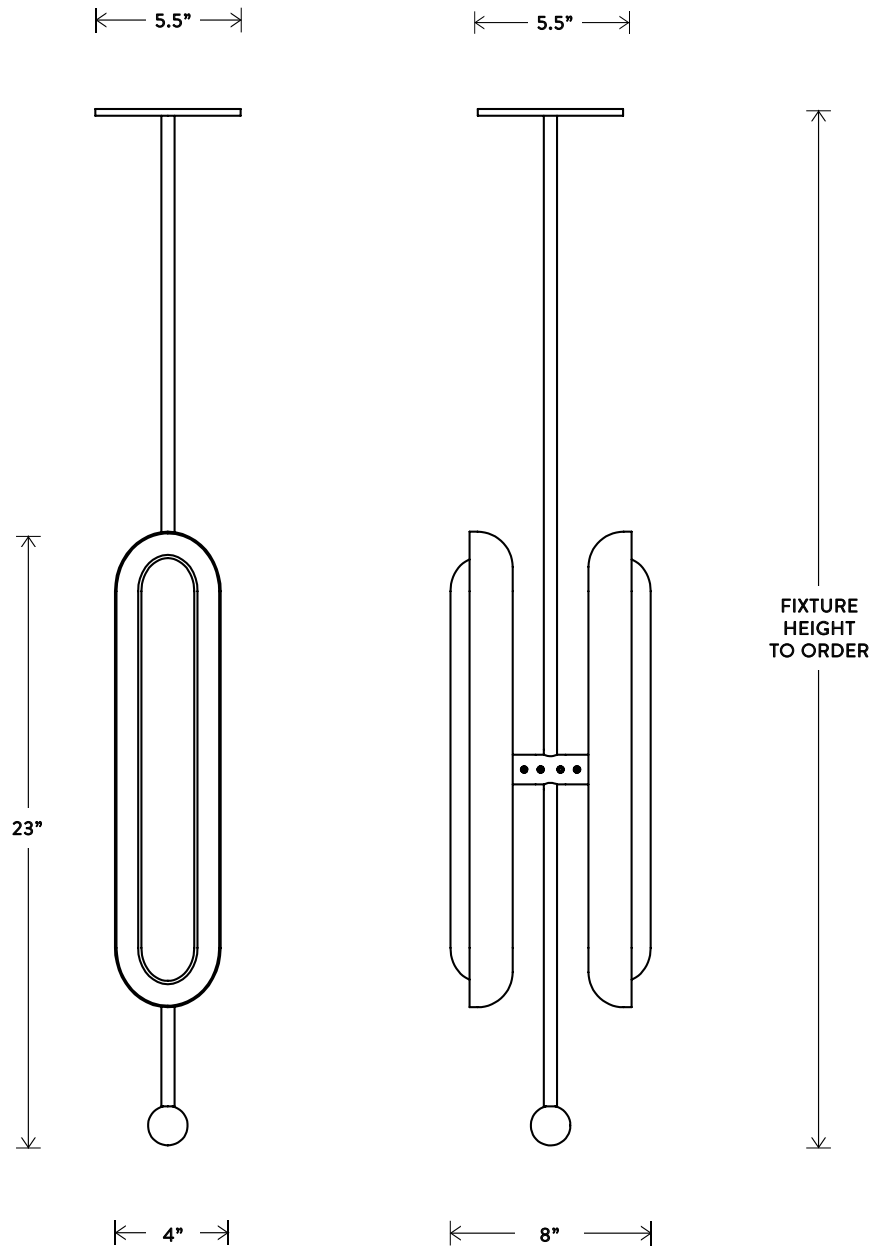
© 2016, APPARATUS LLC

triode³ design

28, rue Jacob 75006 Paris
+33 (0)1 43 29 40 05

contact@triodedesign.com
www.triodedesign.com

CIRCUIT™ 2 PENDANT VERTICAL



DIMENSIONS: 4" W, 8" D
HEIGHT TO ORDER
MINIMUM HEIGHT 28"
INCLUDES UP TO 60"
ADDITIONAL HEIGHT AVAILABLE

LAMPING: 2 16W DIMMABLE LED MODULES
1700 LUMENS EACH, 2700K COLOR TEMPERATURE
LED ONBOARD DRIVER
BULB LIFE: 50,000 HOURS

CE / UL APPROVED
VOLTAGE: 120-240

FINISHED AND ASSEMBLED BY HAND IN NY FROM
DOMESTIC AND IMPORTED COMPONENTS.
CUSTOMIZATION AVAILABLE.
ALL PIECES MADE TO ORDER.
50% DEPOSIT REQUIRED.
BALANCE DUE PRIOR TO SHIPPING.
LEAD TIME APPROXIMATELY 8-10 WEEKS.

FINISHES TO ORDER
ADD 30% FOR TARNISHED SILVER

REQUIRES A MAGNETIC LOW VOLTAGE DIMMER

© 2016, APPARATUS LLC

◀ RETURN TO THUMBNAILS

METAL FINISHES

APPARATUS FINISHES ARE CREATED IN OUR MANHATTAN STUDIO BY OUR TEAM OF ARTISANS. RAW BRASS COMPONENTS ARE PATINATED TO REVEAL THE LAYERS OF IMPERFECT BEAUTY IN THE MATERIAL.

METAL

AGED BRASS

OIL-RUBBED BRONZE

BLACKENED BRASS

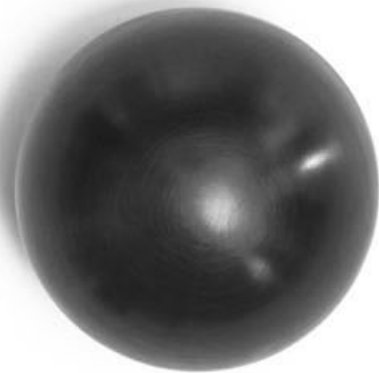
TARNISHED SILVER (ADD 30%)



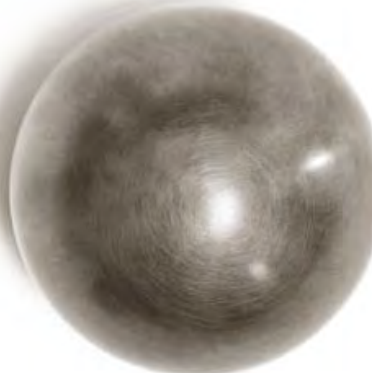
AGED BRASS



OIL-RUBBED BRONZE



BLACKENED BRASS



TARNISHED SILVER

triode³ design

28, rue Jacob 75006 Paris
+33 (0)1 43 29 40 05

contact@triodedesign.com
www.triodedesign.com