

Champ Stool



Champ is a reimagining of the utilitarian stackable stool. When stored, the stools form a graceful and graphic upward spiral. Champ provides the ideal perch for home or office and the perfect solution for larger commercial projects.

Designer Visibility, 2016

Collection Champ

Product Type Stool

Dimensions Dia 16" x H 17.5"
Dia 40.6cm x H 43cm

Weight 8.5lbs / 3.8kg

Materials Steel Tubing, Ash Wood

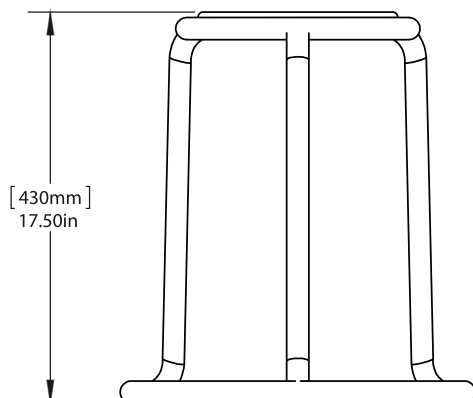
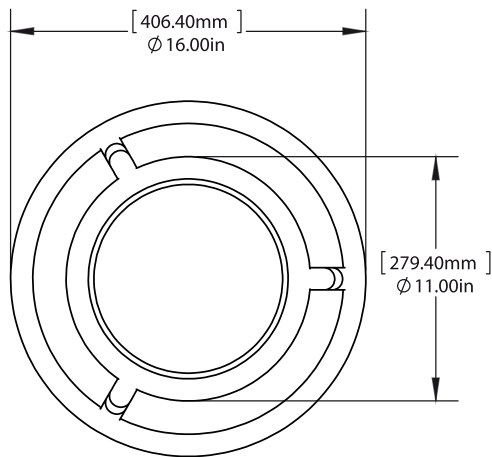
Finishes

- Cream
- Opal Green
- Blue
- Black
- Grey
- Pastel Green

Packaging Dimensions L 18" x W 18" x H 24"
L 46cm x W 46cm x H 61cm

Packaging Weight 15lbs / 6.8kg

Lead Time 6 -8 weeks



triode³ design

28, rue Jacob 75006 Paris
+33 (0)1 43 29 40 05

contact@triodedesign.com
www.triodedesign.com

Champ Stool - Outdoor



Champ is a reimagining of the utilitarian stackable stool. When stored, the stools form a graceful and graphic upward spiral. Champ provides the ideal perch for home or office and the perfect solution for larger commercial projects. The outdoor version features a perforated steel seat.

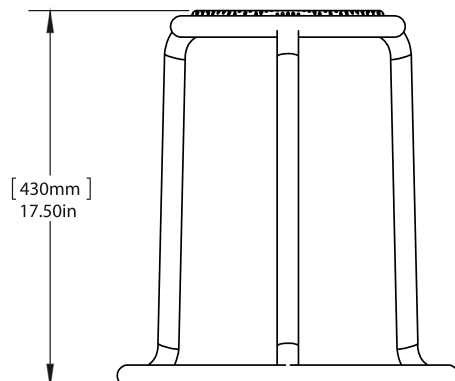
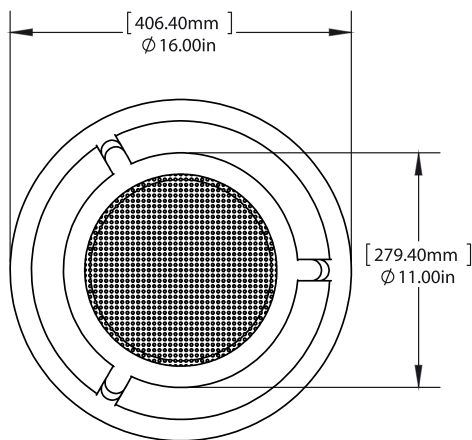
<u>Designer</u>	Visibility, 2017
<u>Collection</u>	Champ
<u>Product Type</u>	Stool
<u>Dimensions</u>	Dia 16" x H 17.5" Dia 40.6cm x H 43cm
<u>Weight</u>	8.5lbs / 3.8kg
<u>Materials</u>	Steel Tubing, Perforated Steel Seat

<u>Finishes</u>	<ul style="list-style-type: none">● Cream● Opal Green● Blue● Black● Grey● Pastel Green
-----------------	---

<u>Packaging Dimensions</u>	L 17" x W 17" x H 22" L 43cm x W 43cm x H 55.9cm
-----------------------------	---

<u>Packaging Weight</u>	15lbs / 6.8kg
-------------------------	---------------

<u>Lead Time</u>	6 -8 weeks
------------------	------------



triode³ design

28, rue Jacob 75006 Paris
+33 (0)1 43 29 40 05

contact@triodedesign.com
www.triodedesign.com