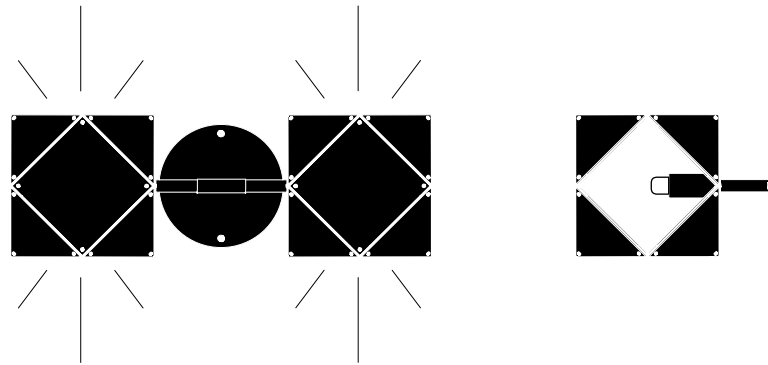


---

# WELLES

Wall-Scence

---



GABRIEL SCOTT  
EST 2012



# WELLES

## Wall Sconce

1/4

Made up of a sequence of interconnected geometric shapes, the WELLES is a modular and customizable lighting-system that forms sculptural and organic shapes in all its various configurations and silhouettes.

From long branches to large clusters, the nature of this metallic light-fixture allows for infinite silhouette options.

All Gabriel Scott pieces are handmade in Canada.



triode<sup>3</sup> design

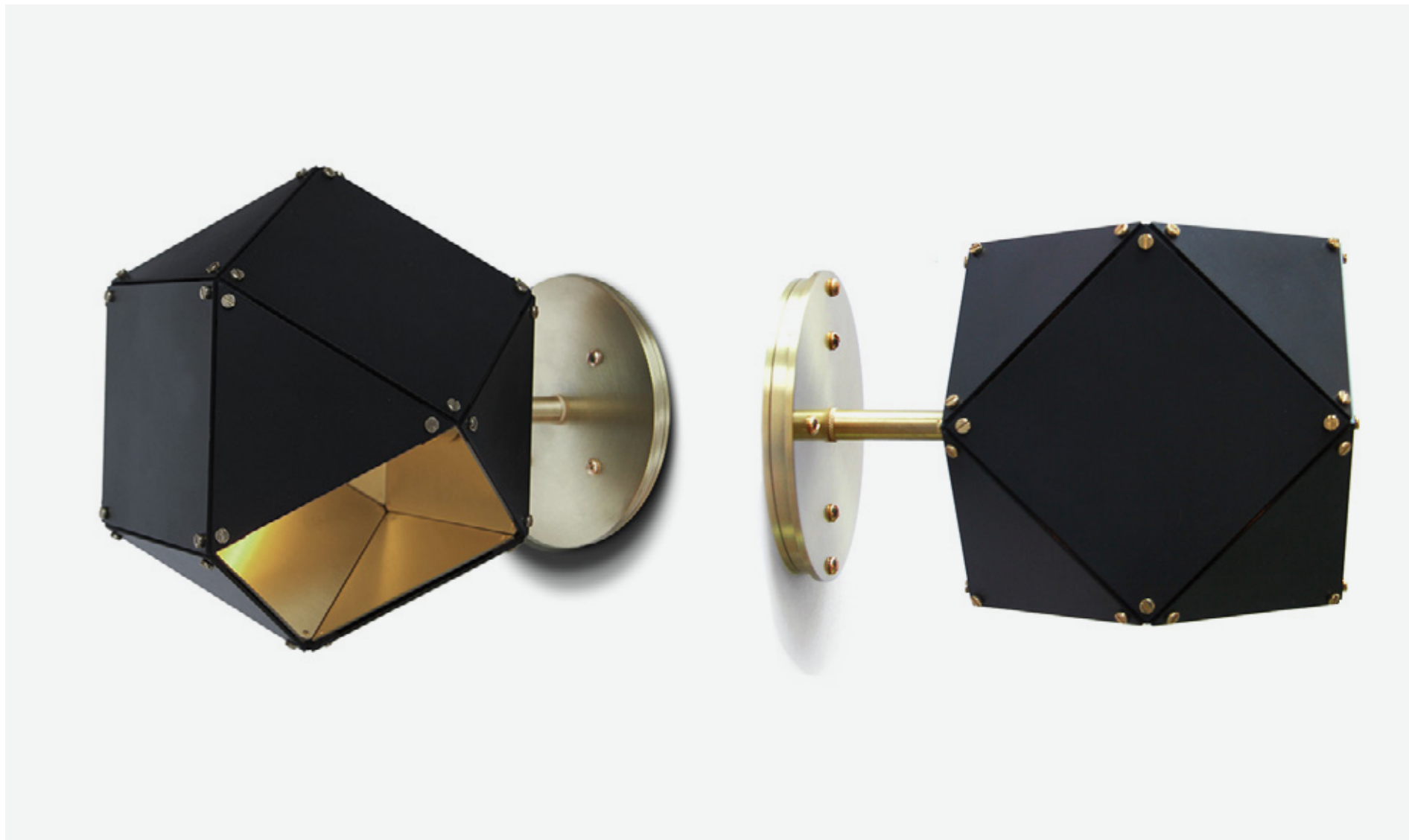
28, rue Jacob 75006 Paris  
+33 (0)1 43 29 40 05

contact@triodedesign.com  
www.triodedesign.com

# WELLES

Wall Sconce

2/4



triode<sup>3</sup> design

28, rue Jacob 75006 Paris  
+33 (0)1 43 29 40 05

contact@triodedesign.com  
www.triodedesign.com

# WELLES

## Wall Sconce

3/4



from left to right:

**White Exterior / Satin Brass Interior**  
**White Exterior / Satin Copper Interior**  
**White Exterior / Satin Nickel Interior**

from left to right:

**Black Exterior / Satin Brass Interior**  
**Black Exterior / Satin Copper Interior**  
**Black Exterior / Satin Nickel Interior**

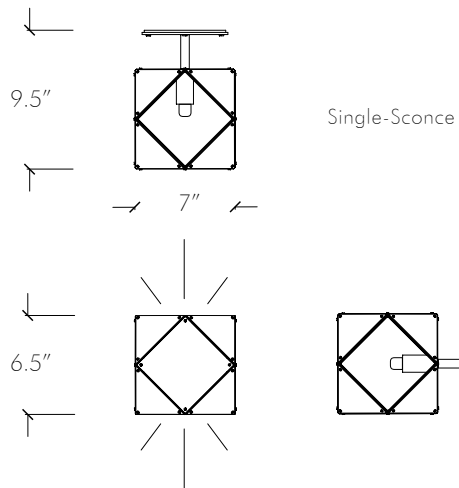
from left to right:

**Satin Brass Exterior / Satin Brass Interior**  
**Satin Copper Exterior / Satin Copper Interior**  
**Satin Nickel Exterior / Satin Nickel Interior**

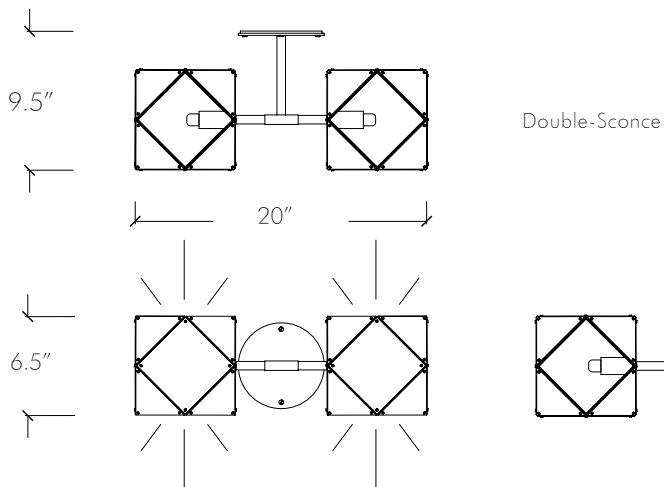
# WELLES

## Wall Sconce

4/4



Single-Sconce



Double-Sconce

## Specifications

Overall Dimensions:

Single Sconce:

**7" W x 6.5" H x 9.5" from wall**

Double Sconce:

**20" W x 6.5" H x 9.5" from wall**

Standard Light Source:

**110V 60 Hz 15Watt incandescent bulbs (provided)**

**LED Option available upon request**

**220V Option available upon request**

*This item is UL listed*

Standard Lead time:

**8-10 weeks**

**Ships UPS Ground from NY, 12919**

Standard 5" Wall-Plate Finish Options:

