

28, rue Jacob 75006 Paris
+33 (0)1 43 29 40 05

contact@triodedesign.com
www.triodedesign.com

XIX

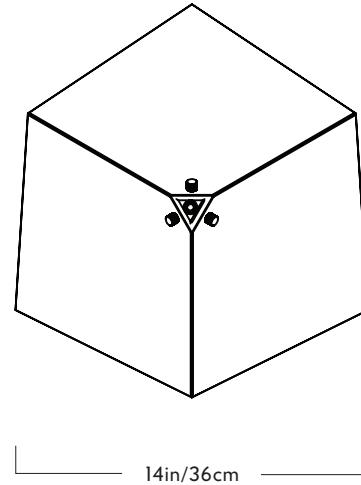
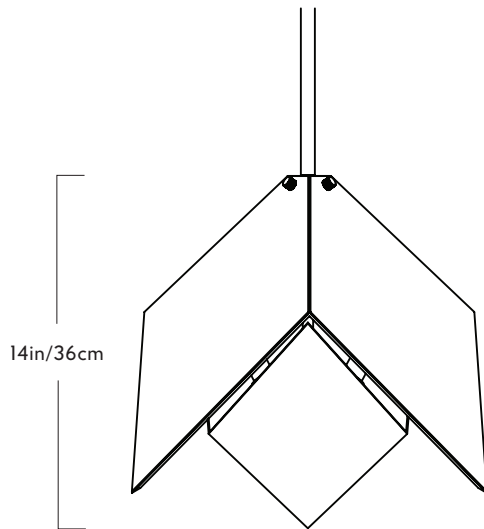
MAXHEDRON

Bec Brittain's Maxhedron is an enigmatic, sleek polyhedron with mirrored panels and plated brass hardware. When turned off, the partly translucent Maxhedron reflects and blends with its environment; when the light is on, its dazzling constellation of bulbs projects bands of light onto its surroundings.

30 inches — Horizontal (Oil-Rubbed Bronze / Transparent Mirror)
L 30 in / 77 cm × W 14 in / 35 cm × H 16 in / 41 cm



Roll & Hill



Maxhedron Pendant

SERIES
Maxhedron

PRODUCT
Pendant

LEAD TIME
12 weeks

DIMENSIONS
L 14in/36cm W 14in/36cm H 14in/36cm

WEIGHT
8lb/3.6kg

MATERIALS
Brass, steel, two-way mirror

FINISHES / COLORS
Blackened steel, oil-rubbed bronze,
polished nickel, brushed brass

SUSPENSION
1/2-inch steel stem.

CANOPY
5-inch round in matching metal finish

DIMMER COMPATIBILITY
Triac

120V ILLUMINATION
Bulb: 3 x 40 Watt E12 T8 incandescent
Socket: E12
Wattage: 120 Watts
Lumens: 660 Lumens
Color Temperature: 2800 Kelvin

240V ILLUMINATION
Bulb: 3 x 20 Watt G9 halogen
Socket: G9
Wattage: 160 Watts
Lumens: 990 Lumens
Color Temperature: 3000 Kelvin

CERTIFICATIONS
n/a

Finishes

- Blackened Steel
- Oil-Rubbed Bronze
- Polished Nickel
- Brushed Brass

Glass Options

- Transparent Mirror
- Tessellation 1
- Tessellation 2

Canopy

- | | | | |
|------------|---|---|---------------------------------------|
| Chandelier |  | A | 5-inch round in matching metal finish |
|------------|---|---|---------------------------------------|

- | | | | |
|---------|---|---|---------------------------------------|
| Pendant |  | B | 5-inch round in matching metal finish |
|---------|---|---|---------------------------------------|

Lamping 120V

- | | | | |
|------------|---|---|--------------------|
| Chandelier |  | A | 20-Watt G4 Halogen |
|------------|---|---|--------------------|

- | | | | |
|---------|---|---|--|
| Pendant |  | B | 40-Watt T8 E12 base. UL, cUL certified |
|---------|---|---|--|

Lamping 240V

- | | | | |
|------------|---|---|--------------------|
| Chandelier |  | A | 20-Watt G4 Halogen |
|------------|---|---|--------------------|

Details

- | | |
|----------------------|---|
| Lead Time | 16 weeks |
| Materials | Brass, steel, transparent mirror |
| Suspension | 1/2-inch aluminum stem in matching metal finish.
35-inch length included with lamp.
96-inch length available for additional cost.
Stem length can be adjusted on site. |
| Dimmer Compatibility | Triac or Electronic Low Voltage (ELV) |

Year

2014

Designer

Bec Brittain studied industrial design at Parsons, earned a BA in philosophy from New York University, and received an architecture degree from The Architectural Association in London. Bec draws from these different modes of thinking and making to create relationships between normally disparate elements. Her aim is to create work eliciting both an immediate sensual reaction, and a more gradual appreciation of a larger aesthetic concept. Located in New York City, Bec's studio focuses on lighting design and custom projects. Bec has been featured in Architectural Digest, The New York Times, Elle Décor and Dwell. Her work can be seen in commercial and residential projects across the world.

MAXHEDRON

173



42 inches — Vertical (Oil-Rubbed Bronze / Transparent Mirror)
L 21 in / 53 cm × W 18.5 in / 47 cm × H 42 in / 107 cm

triode³ design

28, rue Jacob 75006 Paris
 +33 (0)1 43 29 40 05

contact@triodedesign.com
 www.triodedesign.com



42 inches — Vertical (Brushed Brass / Transparent Mirror)
L 42 in / 107 cm × W 18.5 in / 47 cm × H 21 in / 53 cm



Pendant (Polished Nickel)
L 13 in / 32 cm × W 14 in / 36 cm × H 12 in / 31 cm