

triode³ design

28, rue Jacob 75006 Paris
+33 (0)1 43 29 40 05

contact@triodedesign.com
www.triodedesign.com

MARX
Stool



GABRIEL SCOTT
EST 2012



MARX

Stool

1/3

Complimentary to any setting, this accent piece, upholstered in charcoal or heather grey with contrasting hardware is easily at home in a living space, entry way or at the foot of a bed.

The bold and geometric base is available in black steel with distinct brass hardware, and in full brass or full copper options. COM and COL options available.

All Gabriel Scott pieces are handmade in Canada.



triode³ design

28, rue Jacob 75006 Paris
+33 (0)1 43 29 40 05

contact@triodedesign.com
www.triodedesign.com

MARX

Stool

2/3



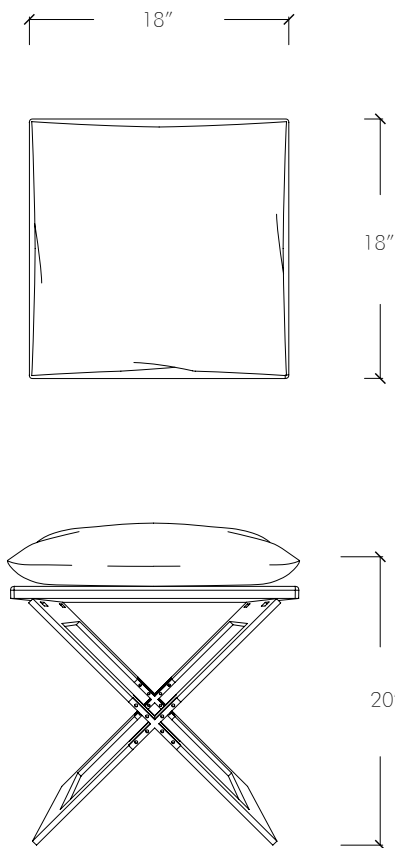
triode³ design

28, rue Jacob 75006 Paris
+33 (0)1 43 29 40 05

contact@triodedesign.com
www.triodedesign.com

MARX Stool

3/3



Specifications

Overall Dimensions:
18" x 18" x 20" H

Standard Lead Time:
Typically in stock (or 8-10 weeks)
Ships UPS Ground from NY, 12919

Standard Finish Options:
Matte Black Steel Base, paired w/ Charcoal-Gray Herringbone Upholstery
Satin Brass Finish Base, paired w/ Heather-Gray Herringbone Upholstery
Satin Copper Finish Base, paired w/ Heather-Gray Herringbone Upholstery
COM & COL options available

