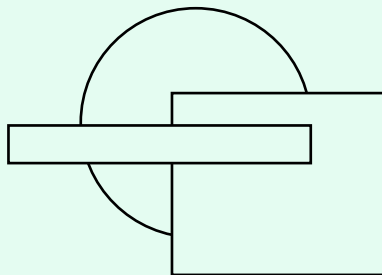
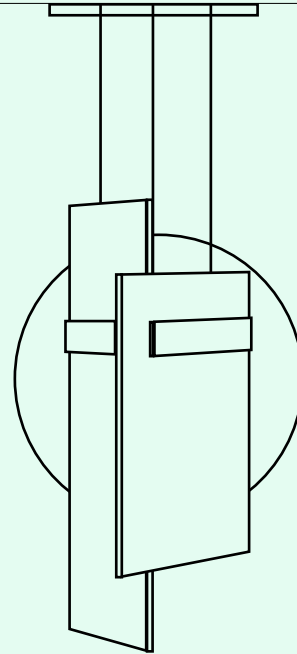


sconce



chandelier

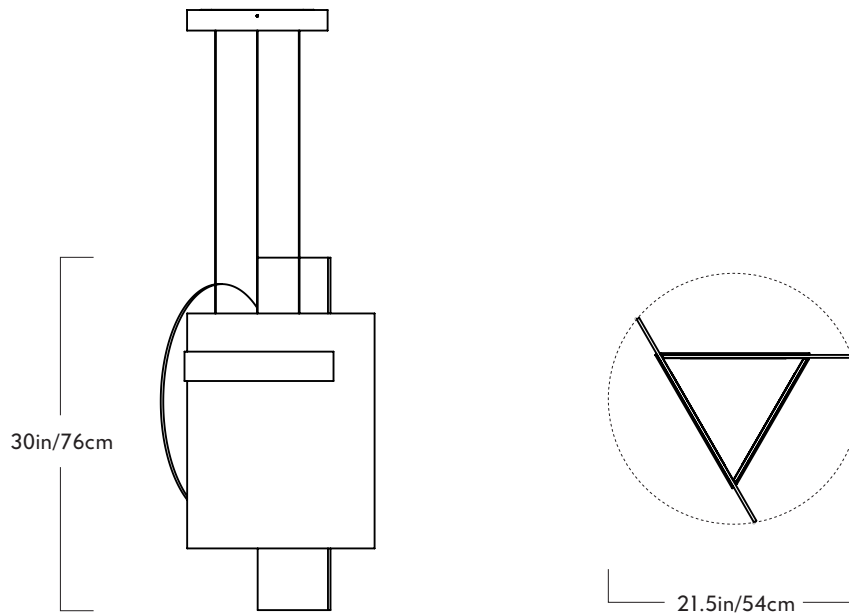


The Kazimir Chandelier was inspired by the late 1800 Russian artist, Kazimir Malevich, who created paintings often composed of flat, abstract areas of multi-layered shapes and compositions. Like his work, the Kazimir fixture is the result of our increased experimentation with “complexity & layering”, geometric abstraction and minimalism. Kazimir explores an “elemental complexity” through a 3 piece collage of textured and dichroic plate glass shapes arranged around an illuminated triangular frame. The resulting arrangement celebrates layering of shape, texture, color, and effect. “Complexity” lies at the intersection of the three elemental forms and invites one to see how the composition transforms.

Kazimir is made and manufactured by Roll & Hill and available through L&G Studio.



# Roll & Hill



## Kazimir

Series  
Kazimir

Product  
Pendant

Dimensions  
L 21.5in/54cm x W 21.5in/54cm x H  
30in/76cm

Weight  
26.7lb/12.1kg

## Pendant

Materials  
Glass, steel, aluminum

Finishes  
Matte nickel, matte brass

Suspension  
Aircraft cable

Canopy  
12-inch triangle in matching metal finish  
(1.75" high)

Dimmer Compatibility  
Triac/Phase-Cut

120V Illumination  
LED

Wattage: 42 Watts  
Lumens: 1600 Lumens  
Color Temperature: 2700 Kelvin  
Bulb Life: 50,000 Hours

240V Illumination  
LED

Wattage: 42 Watts  
Lumens: 1600 Lumens  
Color Temperature: 2700 Kelvin  
Bulb Life: 50,000 Hours