



CASTLE

triode³ design

57

28, rue Jacob 75006 Paris
+33 (0)1 43 29 40 05

contact@triodedesign.com
www.triodedesign.com

VI

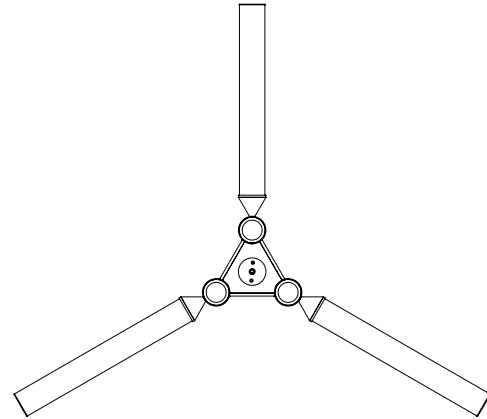
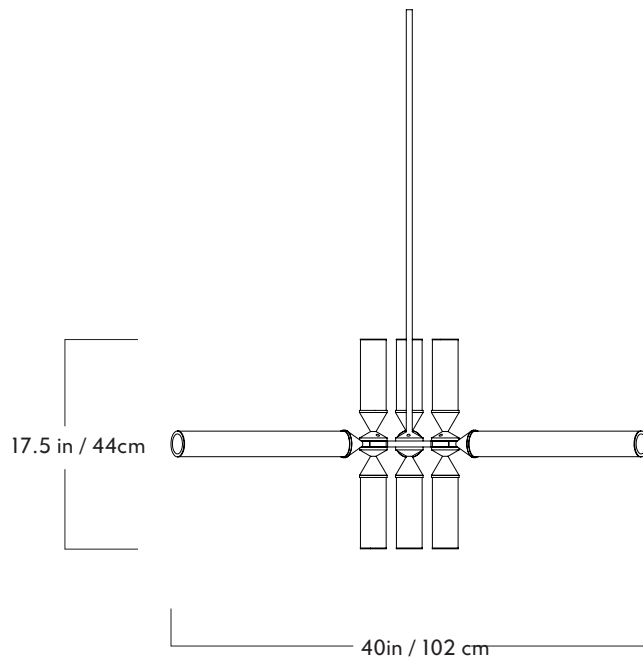
CASTLE

While the shape of these pieces occasionally resemble the turrets of a castle, the name actually comes from the game of chess. The rook can jump any distance, yet it is restricted to moving orthogonally. Likewise, the glass in Castle extends to different lengths, but is always horizontal or vertical.

12 – 03 (Black / Cream)

L 18 in / 46 cm × W 18 in / 46 cm × H 48 in / 107 cm

Roll & Hill



Castle

9-01

Series
Castle

Product
9-01

Lead Time
16 Weeks

Dimensions
Dia 40in/102cm x H 17.5in/44cm

Weight
9lb/4.1kg

Materials
Machined Aluminum, glass

Finishes / Colors
Black, bronze, polished nickel, brushed brass

Suspension
1/2-inch aluminum stem in matching metal finish. 35-inch length included with lamp. 96-inch length available for additional cost. Stem length can be adjusted on site.

Canopy
5-inch canopy in matching metal finish

120V Illumination
LED
Wattage: 18 Watts
Lumens: 1710 Lumens
Color Temperature: 2700 Kelvin
Bulb Life: 50,000 hours

240V Illumination
LED
Wattage: 18 Watts
Lumens: 1710 Lumens
Color Temperature: 2700 Kelvin
Bulb Life: 50,000 hours

Finishes

- Black
- Bronze
- Polished Nickel
- Brushed Brass

Glass Colors

- Smoke
- Clear
- Cream

Canopy



A

A 5-inch round in matching metal finish

Lamping 120V/240V

Integrated LED

Details

Lead Time	16 weeks
Materials	Machined aluminum, glass
Suspension	1/2-inch aluminum stem in matching metal finish. 35-inch length included with lamp. 96-inch length available for additional cost. Stem length can be adjusted on site.
Dimmer Compatibility	Electronic Low Voltage (ELV)

Year

2015

Designer

Jason Miller is a Brooklyn-based designer and the founder of Roll & Hill. Born in New York and raised in Darien, Connecticut, Jason's suburban upbringing heavily influenced his early, more conceptual pieces — duct-taped chairs and racked vases, among them — and continues to inform the elegant, historically rich work that has become his signature. Jason received an MFA in painting and spent time in both the art and advertising worlds, but soon realized he preferred making things to documenting them. His designs — like a mirror whose photographic surface recalls a painted landscape — still often reflect those early preoccupations, but each is a functional object, with a kind of beauty and wit. Today, Jason runs both Jason Miller Studio and Roll & Hill from his headquarters in Sunset Park, Brooklyn. He lives nearby with his daughter, Tuesday.

CASTLE

triode³ design

59

28, rue Jacob 75006 Paris
+33 (0)1 43 29 40 05

contact@triodedesign.com
www.triodedesign.com



18 – 01 (Bronze / Smoke)

L 44 in / 112 cm × W 50 in / 126 cm × H 17.5 in / 44 cm



09 – 02 (Bronze / Clear)
L 22.5 in / 57 cm × W 19 in / 49 cm × H 28 in / 70 cm



09 – 01 (Bronze / Smoke)
L 40 in / 101 cm × W 34 in / 87 cm × H 17.5 in / 44 cm