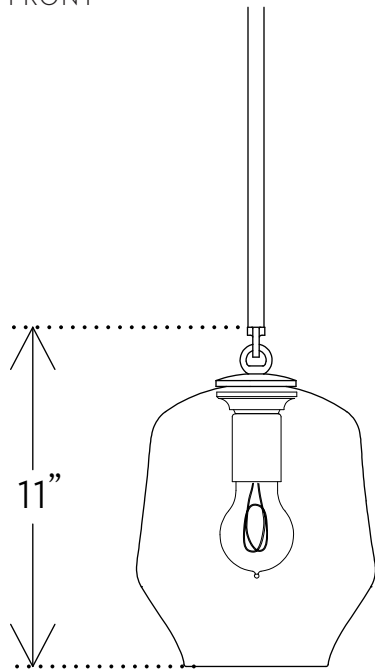




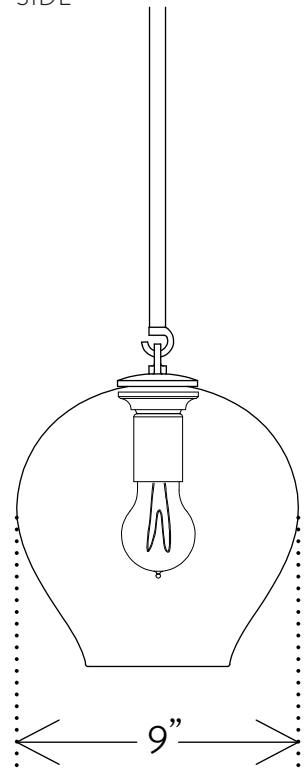
BRANCHING PENDANT BP.01.01

H 11in/28cm W 7in/18cm D 9in/23cm WT 4lb/2kg MAX 60w Shown with 9" globe

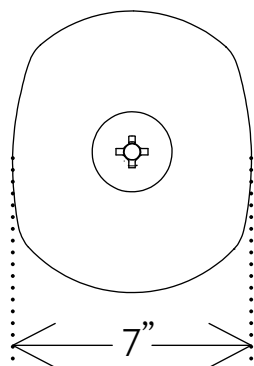
FRONT



SIDE



TOP

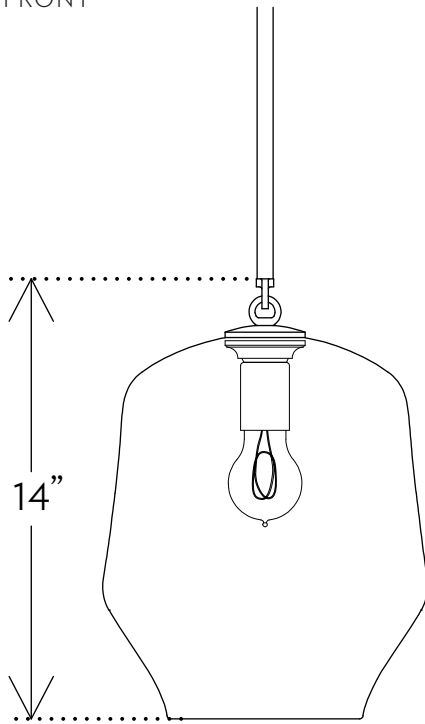




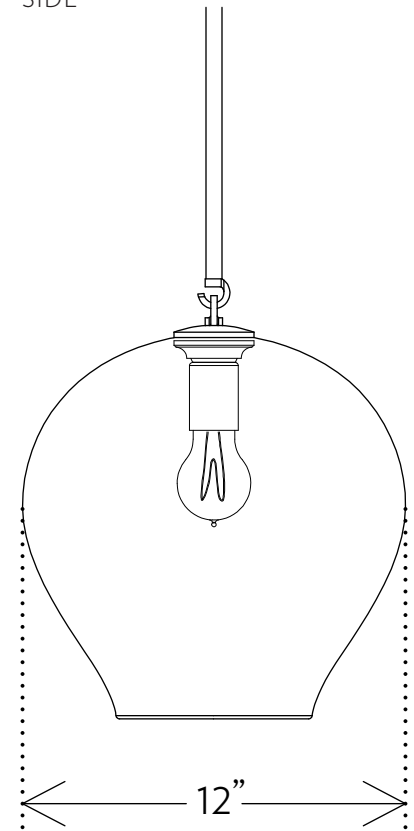
BRANCHING PENDANT BP.01.01

H 14in/36cm W 10in/25cm D 12in/30cm WT 6lb/3kg MAX 60w Shown with 12" globe

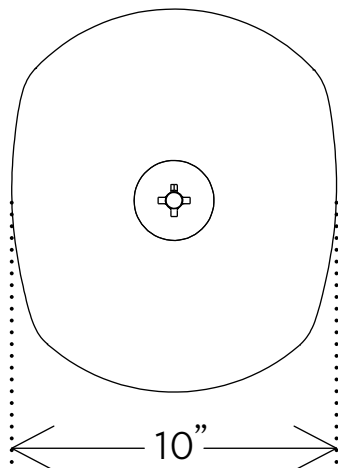
FRONT



SIDE



TOP





BRANCHING BUBBLE

Inspired by natural phenomena, Branching explores the visual tension that results from mixing hand-blown glass with machine-made metal parts. Lindsey Adelman and her team design and build each fixture to order.

SUSPENSION Includes 36" or 72" stem that can be cut on-site. Longer lengths available upon request.

CANOPY Ø 5" x H .25"

MATERIALS Machined Brass Glass

SHADES 9" or 12" Glass Globe

BULBS	BULB TYPE	SOCKET	WATTAGE
120V	Double loop Edison	e26	60w
220/230V	Quad loop Edison	e27	60w

BP.01.01 - 12" globe

H 14in/36cm W 10in/25cm D 12in/30cm WT 6lb/3kg

28, rue Jacob 75006 Paris
+33 (0)1 43 29 40 05

contact@triodedesign.com
www.triodedesign.com



brushed brass
clear glass



brushed brass
white glass



brushed brass
grey glass



vintage brass
clear glass



vintage brass
white glass



vintage brass
grey glass



oil-rubbed bronze
clear glass

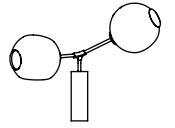


oil-rubbed bronze
grey glass



satin nickel
clear glass

SC.02.01



H 21in/54cm W 28in/72cm D 15in/38cm WT 15lb/7kg

28, rue Jacob 75006 Paris
+33 (0)1 43 29 40 05

contact@triodedesign.com
www.triodedesign.com



brushed brass
clear glass



vintage brass
clear glass



oil-rubbed bronze
clear glass

FL.02.01

\$7100

H 70in/178cm W 32in/81cm D 28in/71cm WT 12lb/5kg



vintage brass
grey 9" globe, grey 7" globe
\$6140



oil rubbed bronze
clear 9" globe, clear 7" globe
\$5900