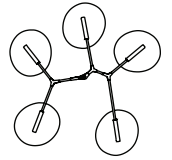


BD.05.06

triode<sup>3</sup> design



H 12in/30cm W 44in/112cm D 45in/114cm WT 15lb/7kg

28, rue Jacob 75006 Paris  
+33 (0)1 43 29 40 05

contact@triodedesign.com  
www.triodedesign.com



brushed brass  
white porcelain

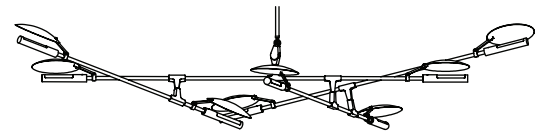


satin nickel  
white porcelain

BD.08.07

\$24,000

H 15in/38cm W 76in/193cm D 49in/124cm WT 24lb/11kg



brushed brass  
brass shade



oil rubbed bronze  
brass shade



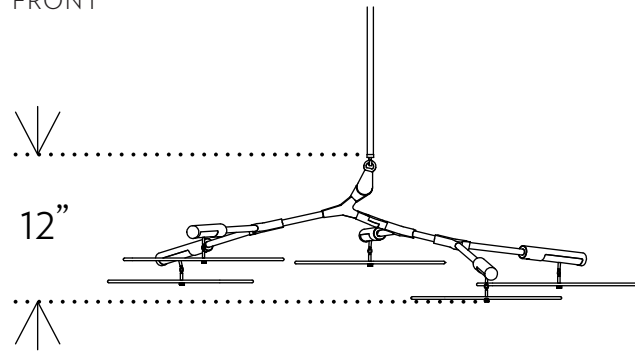
brushed brass  
white porcelain shade



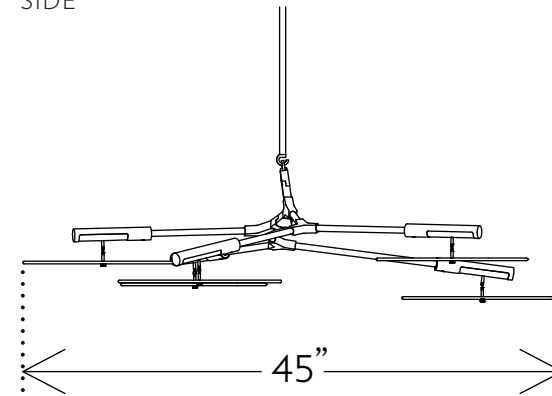
# BRANCHING DISC BD.05.06

H 12in/30cm W 44in/112cm D 45in/114cm WT 15lb/7kg Shown with 10.5"-11.5" handmade unglazed translucent porcelain shades

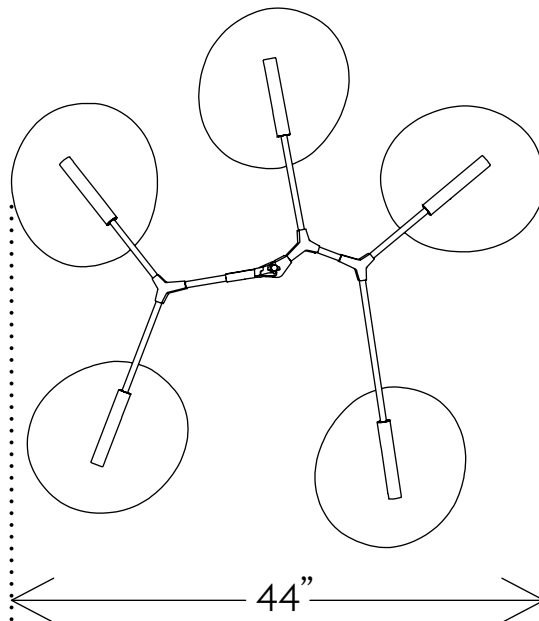
FRONT



SIDE



TOP



triode<sup>3</sup> design

28, rue Jacob 75006 Paris  
+33 (0)1 43 29 40 05

contact@triodedesign.com  
www.triodedesign.com



## BRANCHING DISC

Inspired by natural phenomena, Branching explores the visual tension that results from mixing handmade porcelain with machine-made metal parts. Lindsey Adelman and her team design and build each fixture in their Manhattan studio.

**SUSPENSION** Includes 36" or 72" stem that can be cut on-site. Longer lengths available upon request

**CANOPY** Ø 5" x H 1.5"

**MATERIALS** Machined Brass Porcelain

**SHADES** 10.5"-11.5" Handmade unglazed translucent porcelain shades

<b>BULBS</b>	<b>BULB TYPE</b>	<b>WATTAGE</b>	<b>BRIGHTNESS</b>	<b>TEMPERATURE</b>
	24V LED	2W (25W Halogen equivalent)	128 Lumens	2700K

<b>TRANSFORMER</b>	<b>INPUT</b>	<b>MODEL</b>	<b>DIMENSIONS</b>	<b>DIMMING</b>
	110V-220V	ESSO15W-0500-32	L 3.5" x W 1.625" x H 1"	ELV Dimmer recommended (reverse-phase or trailing-edge) Also compatible with TRIAC (forward-phase or leading-edge at 120V only) and 0-10 V dimmers