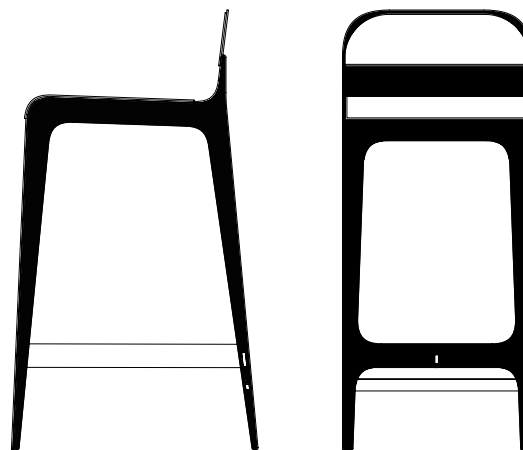

BARDOT

Counter & Bar Stool



GABRIEL SCOTT
EST 2012



BARDOT

Counter & Bar Stool

1/4

The epitome of chic, with distinct legs and a beautiful silhouette, the BARDOT series is aptly named after the French style icon.

Strutting atop a base of black steel with distinct brass, copper and nickel hardware; thin profiled seats and back cushions are hand stitched in fine French pebbled leather – available in nude pink, slate grey or navy blue options. Available in chair, counter-height and bar-height stool options.

All Gabriel Scott pieces are handmade in Canada.



triode³ design

28, rue Jacob 75006 Paris
+33 (0)1 43 29 40 05

contact@triodedesign.com
www.triodedesign.com

BARDOT

Counter & Bar Stool

2/4



triode³ design

28, rue Jacob 75006 Paris
+33 (0)1 43 29 40 05

contact@triodedesign.com
www.triodedesign.com

BARDOT

Counter & Bar Stool

3/4



triode³ design

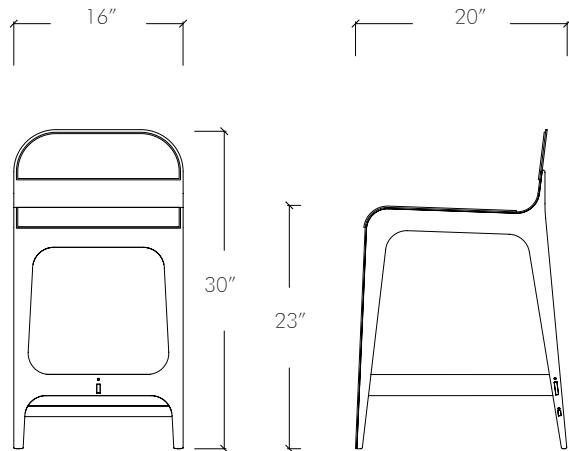
28, rue Jacob 75006 Paris
+33 (0)1 43 29 40 05

contact@triodedesign.com
www.triodedesign.com

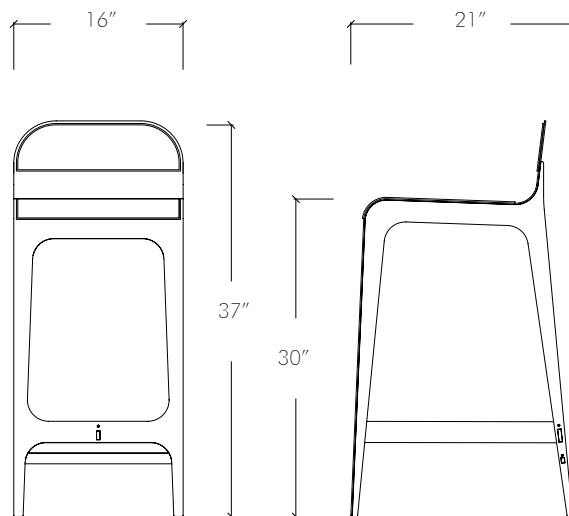
BARDOT

Counter & Bar Stool

4/4



Counter-Height
Stool



Bar-Height
Stool

Specifications

Overall Dimensions:

Counter Height: 16" x 20" x 30" H (23" H seat)

Bar Height: 16" x 21" x 37" H (30" H seat)

Standard Lead Time:

Typically in stock (or 12-14 weeks)

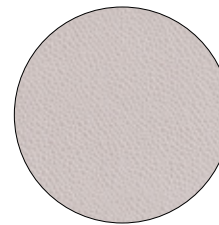
Ships UPS Ground from NY, 12919

Standard Finish Options:

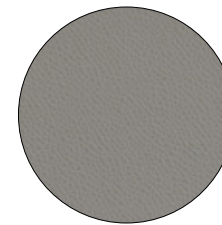
Base: **Matte Black**

Hardware: **Satin Brass, Satin Copper or Satin Nickel**

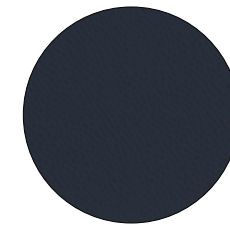
Pebbled French Leather: **Nude-Pink, Slate-Gray, or Navy Blue**



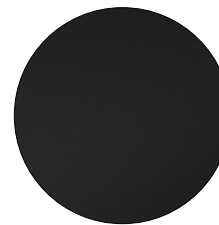
Nude-Pink
Pebbled-Leather



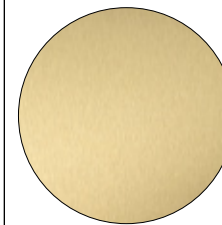
Slate-Gray
Pebbled-Leather



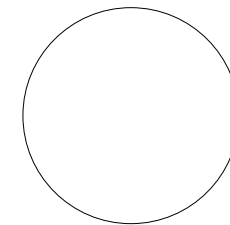
Navy-Blue
Pebbled-Leather



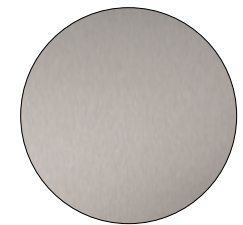
Matte Black
Base



Satin Brass
Hardware



Satin Copper
Hardware



Satin Nickel
Hardware