

Ripple Sconce



Technical Specifications

Materials	Steel
Product weight	1.5 lbs
Lead time	3 days
Integrated LED	1024 lm / 1800 K - 3000 K / 12 W / 80+ CRI / warm on dim
Dimmer	TRIAC, 0 -10V
Certifications	UL listed, wet-rated

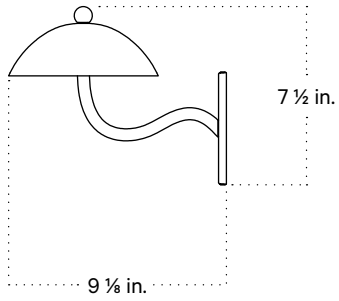


Notes

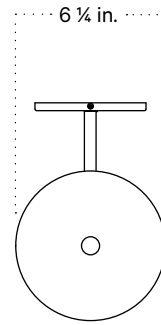
1. The LED lifetime is 50,000 hours.
2. The driver is contained within the fixture and has 5-wires. A 5-wire connection to a 0-10v dimmer switch is required.

Updated December 22, 2023

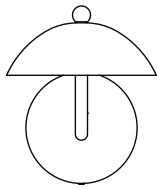
Side View



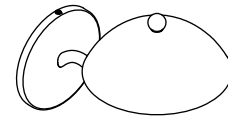
Top View



Front View



Isometric View



Painted Metal



Black



Bone



Brick



Pewter