

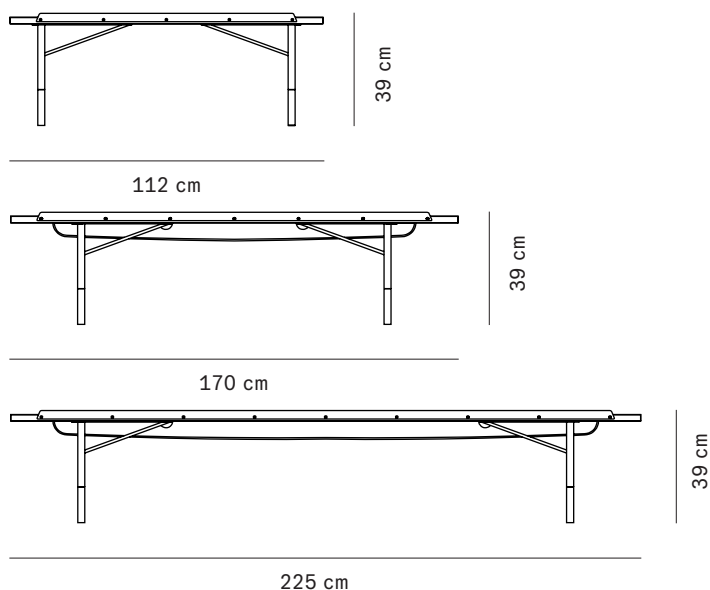
**HOUSE OF  
FINN JUHL**



**TABLE BENCH** 1953  
**BY FINN JUHL**

## TABLE BENCH 1953

Finn Juhl experienced an international breakthrough in the USA during the early 1950s. He subsequently designed a range of furniture with steel pipe frames, inspired by the American designers he had come across. The Table Bench was part of the range from this period.



### PRODUCT INFO

<b>CATEGORY</b>	Table, Bench
<b>DESIGN</b>	Finn Juhl
<b>YEAR</b>	1953, relaunched in 2012
<b>MATERIALS</b>	Oak, walnut, oregonpine or teak veneer or black linoleum and matching wooden toes. With or without brass edges. Legs in burnished or painted steel in black, orange or light blue. With or without cushion in fabric or leather.

<b>DIMENSIONS</b>	Size: L 112 cm x W 45 cm x H 39 cm Weight: 11 kg Cbm: 0,28 m <sup>3</sup> Fabric consumption: 1,15 m
-------------------	---

	Size: L 170 cm x W 45 cm x H 39 cm Weight: 13 kg Cbm: 0,42 m <sup>3</sup> Fabric consumption: 1,70 m
--	---

	Size: L 225 cm x W 45 cm x H 39 cm Weight: 15 kg Cbm: 0,55 m <sup>3</sup> Fabric consumption: 2,25 m
--	---

triode