

Double Dome Table Lamp



TAB-007



Double Dome Table Lamp



TAB-007

DESCRIPTION

This lamp features two of Allied Maker's signature shades; a hand-spun brass dome over a blown-glass globe. Symmetry and unity are created as both light sources join together as one through their hand-bent brass structure.

MATERIALS

Brass, Glass, Wood

METAL FINISHES

Available in All Standard Metal Finishes

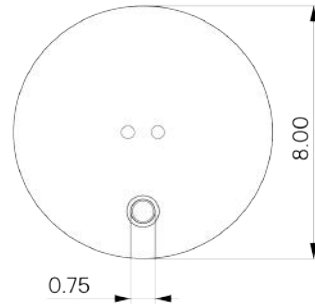
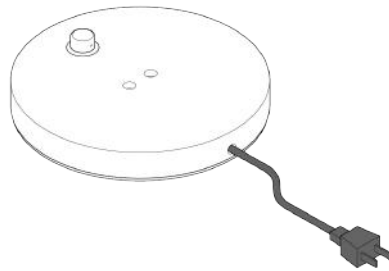
GLASS FINISHES

Clear, Frosted, Matte White, Opal, Smoked

WOOD FINISHES

Available in All Standard Wood Finishes

MOUNTING HARDWARE DIAGRAM

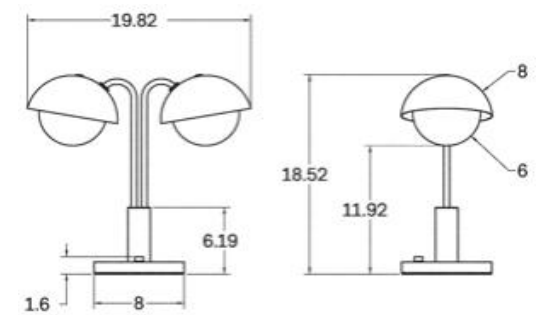


LAMPING

E26 or E27 Screw Base. Type A Lamps

BULB INCLUDED (120V USA)

Cree 60W Bulb



MOUNTING

Universal

WEIGHT

14.25 lb

CERTIFICATIONS

CE, Damp Locations, UL and cUL Certified



DIMENSIONAL DRAWING