



**METRONOME™** ARTICULATING FLOOR LAMP

THE METRONOME SERIES EVOKES THE MEASURE AND BALANCE OF ITS NAMESAKE. A PATINATED BRASS SPHERE PERCHES ATOP THE CONICAL BASE, WHICH IS HAND-WRAPPED IN SUEDE TO PROVIDE A LUSH TACTILE CONTRAST. A CHANNEL IN THE FIRMLY GROUNDED BASE REVEALS AN INTIMATE CONNECTION BETWEEN THE TWO FORMS. A DIMMER KNOB IS SET INTO THE BASE.

© 2017, APPARATUS LLC, REGISTERED DESIGN.  
[WWW.APPARATUSSTUDIO.COM/PATENTS](http://WWW.APPARATUSSTUDIO.COM/PATENTS)

# METRONOME™ ARTICULATING FLOOR LAMP

DIMENSIONS: 44"-60" H, ROTATING ARM 37.5" L

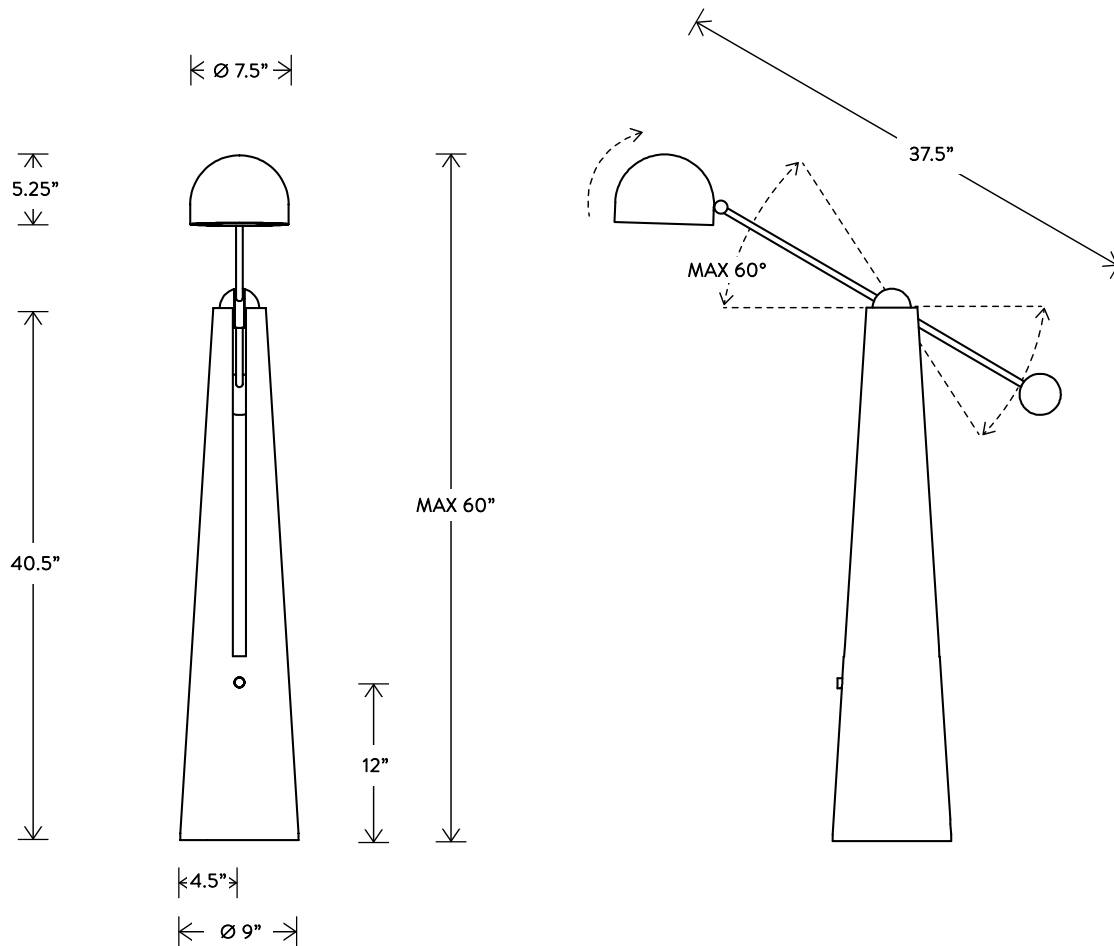
LAMPING: MAX 60W EACH  
1 3W DIMMABLE LED BULB INCLUDED  
240 LUMENS EACH, 2500K COLOR TEMPERATURE  
BULB LIFE: 30,000 HOURS  
120V: E26 GLOBE M: MATTE WHITE, Ø 1.75"  
240V: E27 GLOBE M: MATTE WHITE, Ø 1.75"

UL APPROVED  
VOLTAGE: 120-240

FINISHED AND ASSEMBLED BY HAND IN NY FROM  
DOMESTIC AND IMPORTED COMPONENTS.  
CUSTOMIZATION AVAILABLE.  
ALL PIECES MADE TO ORDER.  
50% DEPOSIT REQUIRED.  
BALANCE DUE PRIOR TO SHIPPING.  
LEAD TIME APPROXIMATELY 8-10 WEEKS.

FINISHES TO ORDER  
ADD 30% FOR TARNISHED SILVER

© 2017, APPARATUS LLC, REGISTERED DESIGN.  
[WWW.APPARATUSSTUDIO.COM/PATENTS](http://WWW.APPARATUSSTUDIO.COM/PATENTS)



triode

28 rue Jacob 75006 Paris contact@triodedesign.com  
+33 (0)1 43 29 40 05 www.triodedesign.com