



CIRCUIT™ 1

THE CIRCUIT SERIES CREATES RHYTHM WITH THE REPETITION OF PURE SHAPES. A GLOWING GLASS CAPSULE NESTS IN A BRASS SHADE, BECOMING A CONTAINED FORM THAT MULTIPLIES TO CONSTRUCT LARGER FIXTURES. THE CIRCUIT 1 CAN BE CEILING OR WALL MOUNTED.

© 2016, APPARATUS LLC
WWW.APPARATUSSTUDIO.COM/PATENTS

CIRCUIT™ 1

DIMENSIONS: 18" H, 5.5" W, 3.5" D
APPROXIMATE WEIGHT: 5 LBS

LAMPING: 1 16W DIMMABLE LED MODULE
1700 LUMENS, 2700K COLOR TEMPERATURE
LED ONBOARD DRIVER
BULB LIFE: 50,000 HOURS

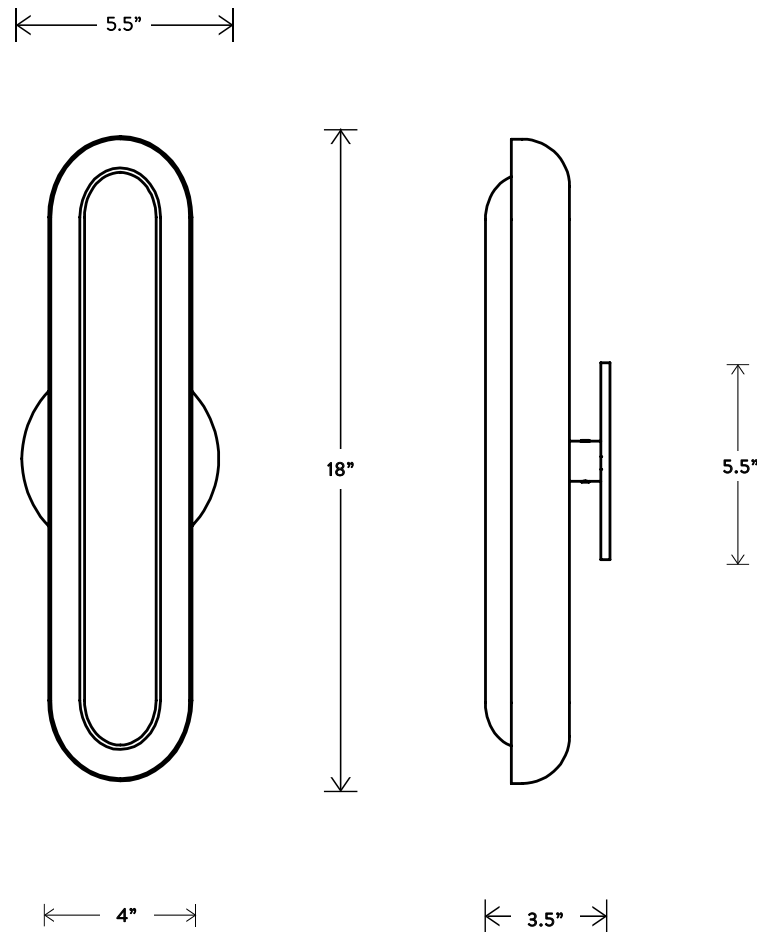
UL / CE APPROVED
VOLTAGE: 120-240

FINISHED AND ASSEMBLED BY HAND IN NY FROM
DOMESTIC AND IMPORTED COMPONENTS.
CUSTOMIZATION AVAILABLE.
ALL PIECES MADE TO ORDER.
50% DEPOSIT REQUIRED.
BALANCE DUE PRIOR TO SHIPPING.
LEAD TIME APPROXIMATELY 8-10 WEEKS.

FINISHES TO ORDER
ADD 30% FOR TARNISHED SILVER

REQUIRES A MAGNETIC LOW VOLTAGE DIMMER

© 2016, APPARATUS LLC
WWW.APPARATUSSTUDIO.COM/PATENTS



triode

28 rue Jacob 75006 Paris contact@triodedesign.com
+33 (0)1 43 29 40 05 www.triodedesign.com