



## ADA Alabaster Sconce 10"

WAL-004

A scaled version of our Aperture Sconce with an Alabaster diffuser. Under 4" in depth to meet standards of the Americans with Disabilities Act for commercial walkways.

### Metal Finish Options

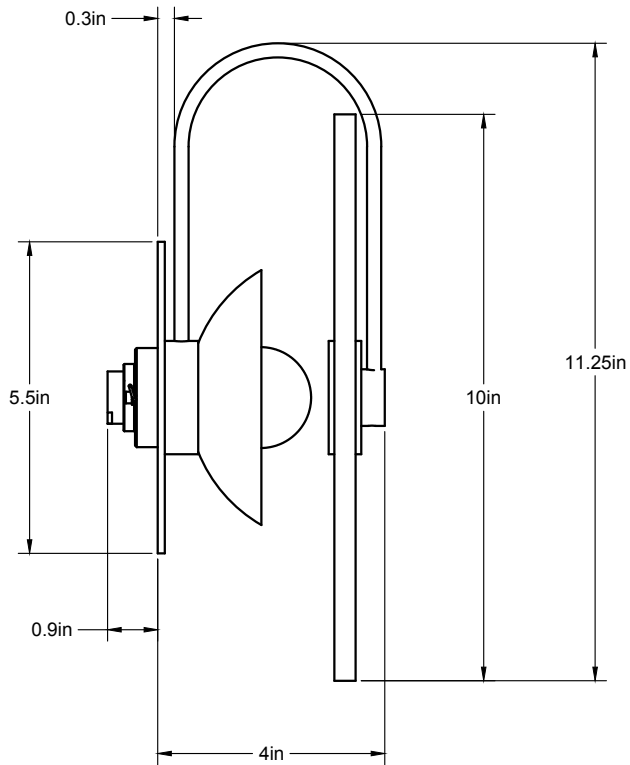
Available in any Allied Maker metal finish

triode

28 rue Jacob 75006 Paris  
+33 (0)1 43 29 40 05

[contact@triodedesign.com](mailto:contact@triodedesign.com)  
[www.triodedesign.com](http://www.triodedesign.com)





triode

28 rue Jacob 75006 Paris contact@triodedesign.com  
+33 (0)1 43 29 40 05 www.triodedesign.com



#### Lamping

120V - E12 Base  
240V - E14 Base

#### Bulb Included

G16 Tala LED  
5W LED  
275 Total Lumen Output  
2700K / 90 CRI  
E12 Base / Dimmable / 120 Volt  
240V available upon request

#### J-Box Requirements

Fits all standard  
junction boxes with  
at least 1.25" depth

#### Certifications

cUL Damp locations

#### Materials

Machined Brass,  
Alabaster

#### Weight

5.75 lbs

81 Franklin St, New York, NY 10013  
sales@alliedmaker.com  
(212) 334-7333

