



TRAPEZE® 5 MOBILE PENDANT

INSPIRED BY THE TENSION AND DYNAMICS OF THE CIRCUS ACT, THIS SERIES CANTILEVERS GLOWING BOWLS IN WEIGHTLESS MOBILE FORMATIONS, CREATING A SOFT ILLUMINATION AND GRAPHIC SILHOUETTE. AVAILABLE WITH EITHER BRASS OR HAND-CAST PORCELAIN BOWLS.

© 2014, APPARATUS LLC
WWW.APPARATUSSTUDIO.COM/PATENTS

A P P A R A T U S

INFO@APPARATUSSTUDIO.COM / 646.527.9732

A P P A R A T U S S T U D I O . C O M

TRAPEZE® 5 MOBILE PENDANT

DIMENSIONS: 34.75" W, 11.5" D
HEIGHT TO ORDER
INCLUDES UP TO 60"
ADDITIONAL HEIGHT \$20 PER INCH
MINIMUM HEIGHT 36"
APPROXIMATE WEIGHT: 15 LBS

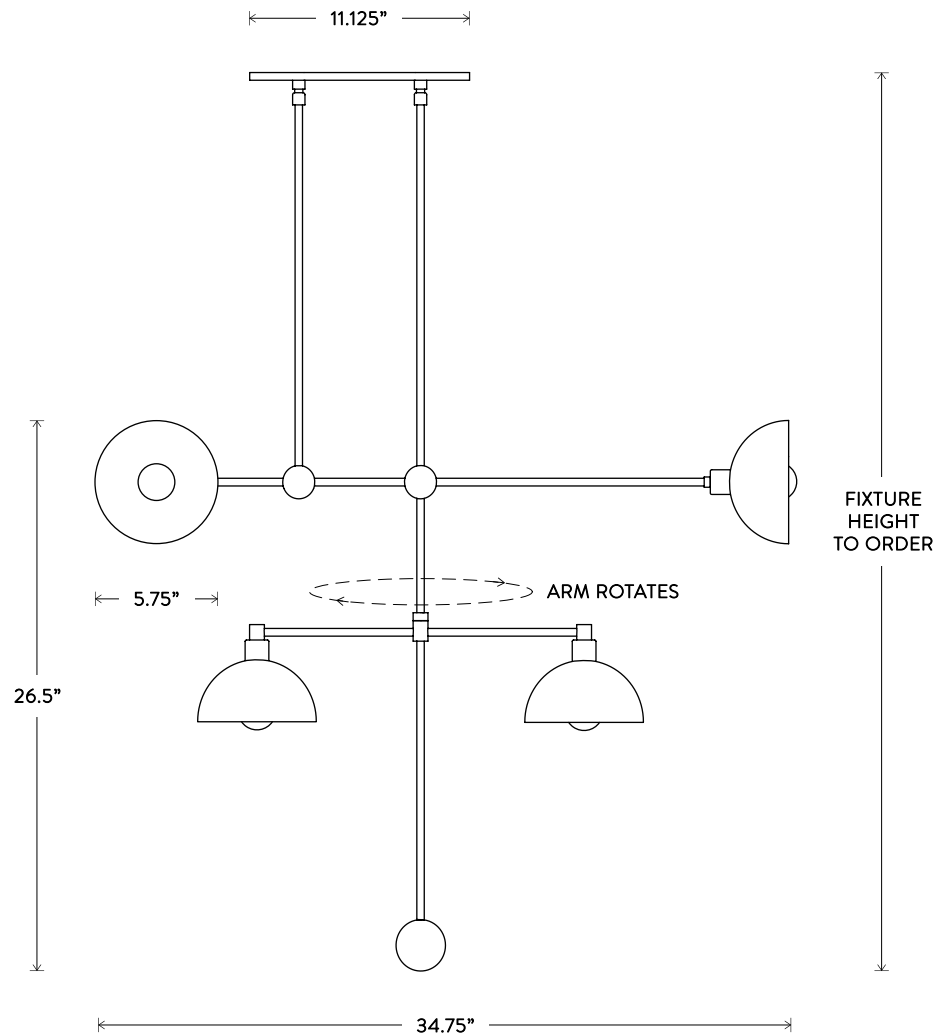
LAMPING: MAX 60W EACH
6 3W DIMMABLE LED BULBS INCLUDED
240 LUMENS EACH, 2500K COLOR TEMPERATURE
BULB LIFE: 30,000 HOURS
120V: E12 GLOBE SM: MATTE WHITE, Ø 1.75"
240V: E14 GLOBE SM: MATTE WHITE, Ø 1.75"

UL / CE APPROVED
VOLTAGE: 120-240

FINISHED AND ASSEMBLED BY HAND IN NY FROM
DOMESTIC AND IMPORTED COMPONENTS.
CUSTOMIZATION AVAILABLE.
ALL PIECES MADE TO ORDER.
50% DEPOSIT REQUIRED.
BALANCE DUE PRIOR TO SHIPPING.
LEAD TIME APPROXIMATELY 8-10 WEEKS.

\$6200 BRASS
\$6700 PORCELAIN OR TWO-TONE BOWLS
TWO-TONE IS AGED BRASS BOWL INTERIOR WITH
BLACKENED BRASS BOWL EXTERIOR.
FINISHES TO ORDER
ADD 30% FOR TARNISHED SILVER

© 2014, APPARATUS LLC
WWW.APPARATUSSTUDIO.COM/PATENTS



A P P A R A T U S

INFO@APPARATUSSTUDIO.COM / 646.527.9732

A P P A R A T U S S T U D I O . C O M