

METRONOME™ ARTICULATING FLOOR LAMP

THE METRONOME SERIES EVOKES THE MEASURE AND BALANCE OF ITS NAMESAKE. A PATINATED BRASS SPHERE PERCHES ATOP THE CONICAL BASE, WHICH IS HAND-WRAPPED IN CALF SUEDE TO PROVIDE A LUSH TACTILE CONTRAST. A CHANNEL IN THE FIRMLY GROUNDED BASE REVEALS AN INTIMATE CONNECTION BETWEEN THE TWO FORMS. A DIMMER KNOB IS SET INTO THE BASE.

© 2017, APPARATUS LLC

triode

28 rue Jacob 75006 Paris contact@triodedesign.com
+33 (0)1 43 29 40 05 www.triodedesign.com

METRONOME™ ARTICULATING FLOOR LAMP

STUDIO EXCLUSIVE

DIMENSIONS: 44"-60" H, ROTATING ARM 37.5" L

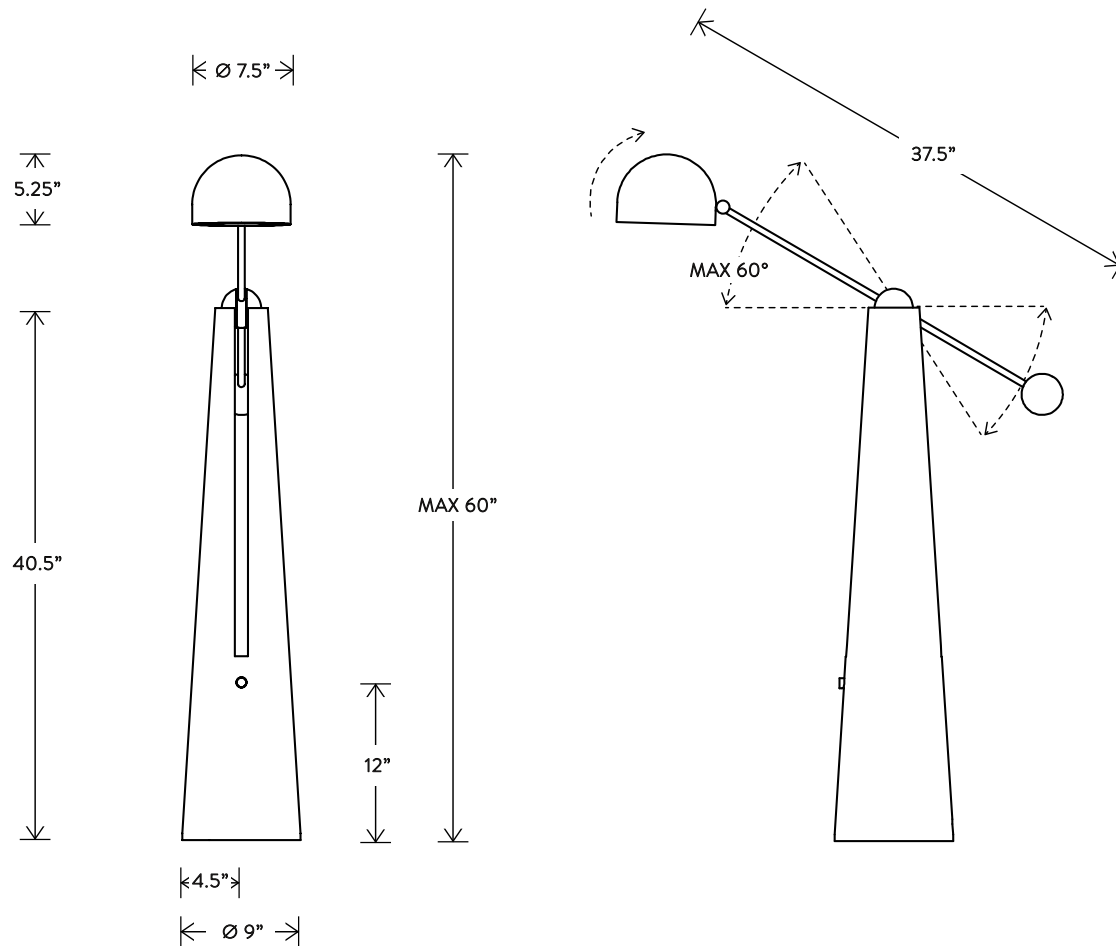
LAMPING: MAX 60W EACH
1 3W DIMMABLE LED BULB INCLUDED
240 LUMENS EACH, 2500K COLOR TEMPERATURE
BULB LIFE: 30,000 HOURS
120V: E26 GLOBE M: MATTE WHITE, Ø 1.75"
240V: E27 GLOBE M: MATTE WHITE, Ø 1.75"

UL APPROVED
VOLTAGE: 120-240

FINISHED AND ASSEMBLED BY HAND IN NY FROM
DOMESTIC AND IMPORTED COMPONENTS.
CUSTOMIZATION AVAILABLE.
ALL PIECES MADE TO ORDER.
50% DEPOSIT REQUIRED.
BALANCE DUE PRIOR TO SHIPPING.
LEAD TIME APPROXIMATELY 8-10 WEEKS.

FINISHES TO ORDER
ADD 30% FOR TARNISHED SILVER

© 2017, APPARATUS LLC



triode

28 rue Jacob 75006 Paris contact@triodedesign.com
+33 (0)1 43 29 40 05 www.triodedesign.com