



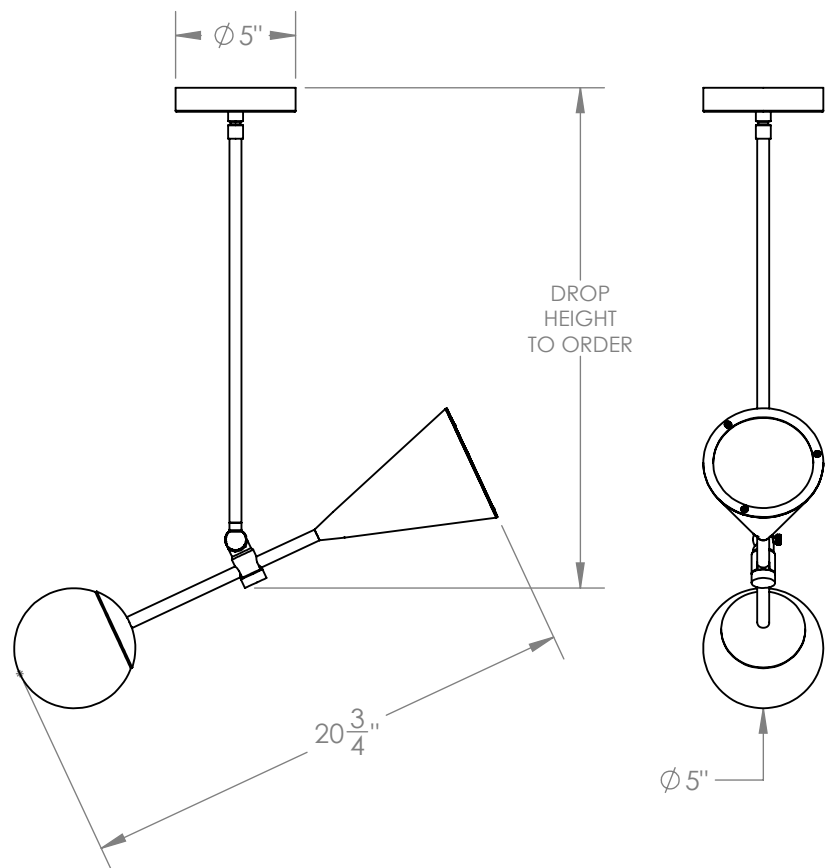
SMALL SPEAR PENDANT LIGHT



SMALL SPEAR PENDANT LIGHT

# SPEAR PENDANT LIGHT

SMALL



The Large Spear Pendant Light is balanced by a satin black cone light source at one end and a handblown matte white glass orb on the other. The brass hinge allows you to adjust the light whichever angle you wish.

## Materials

Steel  
Glass

## Standard Finishes

Satin Black  
Brushed Brass

## Notes

Lamping: 2 E12 bulbs, max 75W each.  
4.5W dimmable LED bulbs included. 450 lumens each,  
2700K color temperature.  
120V, UL approved.

## Lead Time

8 to 10 weeks

**Customization** Available - please contact us.

triode<sup>3</sup> design

28, rue Jacob 75006 Paris  
+33 (0)1 43 29 40 05

contact@triodedesign.com  
www.triodedesign.com