



Sequencer

Chandeliers

YOUR PRODUCT CODE

SQ1-4-PC86-CLMT-22-LV-IP20-CD03

DESCRIPTION

Sequencer is a modular system with both open and closed glass diffusers, available in several stunning powder coated finishes. Tier 1 Sequencer offers 1, 2 and 4 head configurations.

MATERIALS

Aluminum, Glass

PRODUCT DIMENSIONS

Sequencer 1 : 15"h x 7"d
 Sequencer 2 : 15"h x 22"l
 Sequencer 4 : 15"h x 54"l

PRODUCT WEIGHT

1 Head Assembly: 5lbs
 2 Head Assembly: 12lbs
 4 Head Assembly: 25lbs

PERFORMANCE

Open Matte Glass: 705 lumens / head
 Closed Matte Glass: 596 lumens / head

PATENT FILE NUMBER

US: Filed Application

SUSPENSION

Cable Suspension
 Minimum hang height 6"
 Maximum hang height 72"
 Round Deep Canopy (White)
 Field trimmable

CERTIFICATION

UL Listed
 UL Listed to Canadian safety standards.
 Suitable for Damp Locations
 IP20

LED LIFESPAN

50k hours

SPECIFICATION LOGIC

NUMBER OF LUMINAIRE HEADS

1	1
2	2
4	4

PRIMARY FINISH

Canary Yellow	PC86
---------------	------

GLASS FINISH

Closed Matte Glass	CLMT
--------------------	------

COLOR TEMPERATURE

2200K	22
2700K	27
3000K	30
3500K	35
4000K	40

DIMMING / CONTROL / INPUT

0.1% Dimming, 0-10V Control, 120V or 277V Universal Input (Driver External)	0.1_10V_UNV
1% Dimming, 0-10V Control, 120V or 277V Universal Input (Driver External)	1_10V_UNV
1% Dimming, TRIAC / Forward Phase Control, 120V Input (Driver External)	1_TRIAC_120V
Low Voltage (Driver required, driver not included)	LV

IP RATING

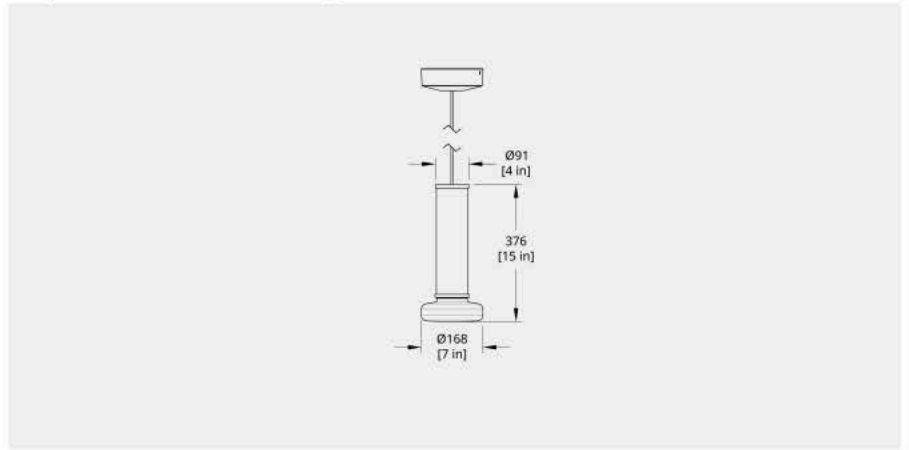
IP20	IP20
------	------

CANOPY

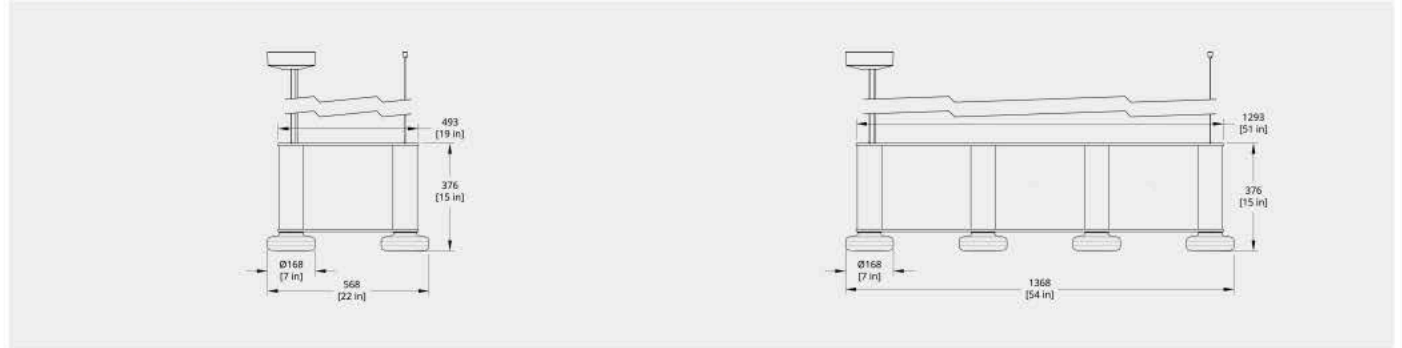
Deep Round	CD03
------------	------

DRAWINGS

Sequencer 1 Technical Drawing



Sequencer 2 Technical Drawing



Sequencer 4 Technical Drawing

