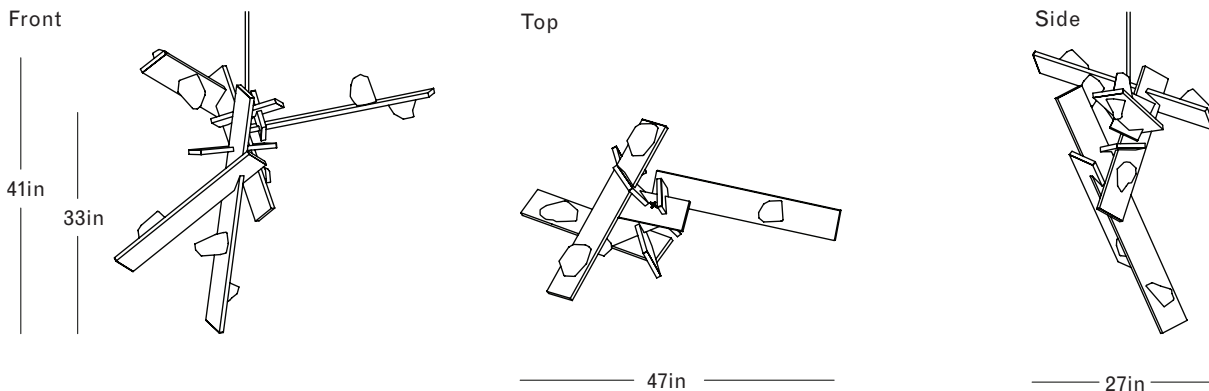




Custom Patagonia Green Quartzite  
Quartz White Glass



Finish Palette



Burnished Brass



Burnished Silver



Burnished Bronze



Satin Black



Quartz White Glass

Unique stone finishes available by request.

Specifications

DIMENSIONS

Height: 41in / 104cm  
 Width: 47in / 119cm  
 Depth: 27in / 69cm  
 Minimum Drop: 45in / 114cm  
 Weight: 28lb / 13kg\*  
 \*Stone finishes may increase weight

SUSPENSION

Ships with 36in or 72in stem, can be cut to length on site

CANOPY

L5in x W5in x H.75in

MATERIALS

Aluminum, mold-blown glass.

BULBS

G4 / 12v / 1.2w / 2700k / dimmable LED,  
 transformer provided  
 Maximum Fixture Wattage: 10.8w

Inspiration

Inspired by its namesake galaxy, Andromeda feels as if it has erupted into form—luminous, architectural, and charged with motion. Intersecting planes sit in uneasy balance, holding expansion and contraction at once; each piece hovers between stillness and movement, poised between the physical and the sublime.