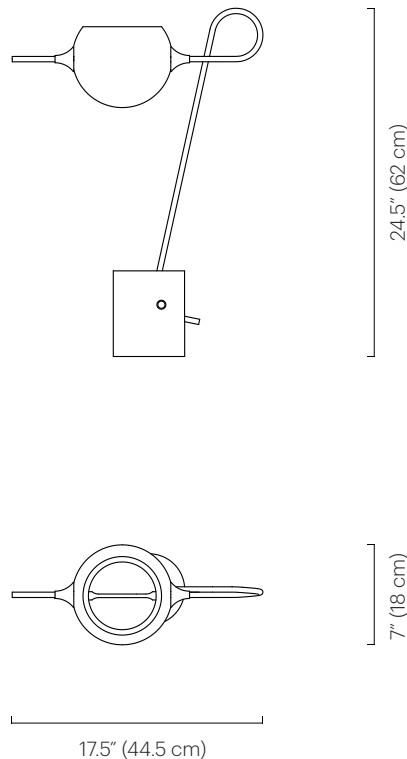


Whiplash Table Lamp

TECHNICAL SPECIFICATIONS

No. 122



Description

The Whiplash Desk Lamp features a cylindrical cement cast base. The hand formed brass arm is secured by a brass dowel. The fixture has a single glass Whiplash shade, each shade is hand blown and illuminated by a dimmable LED. Shade can be faced up or down, specify shade orientation.

Materials

Shade: Glass
Base: Cement
Frame: Plated brass
Hardware: Plated and polished brass

Shade Color

- White Ombre
- Black Ombre

Base Color

- Natural Cement
- Darkened Cement

Finish

- Brushed Brass
- Oil Rubbed Bronze

Custom finishes available.

Lamping

LED: Warm white 2700K
Lumens: 700 (equivalent to one 60W incandescent bulb)
CRI: 90+
70,000 LED life hours (approx.)

Voltage / Wattage

24V / 7W

Weight

11 lbs (5 kg)

Remarks

Shade does not rotate after install. Specify shade orientation. Cord color is black; length approx. 7 feet. Dimmer switch located on cord. Indoor use and dry locations only.

Dimensions

Fixture dimensions:
24.5" L x 7" W x 17.5" H
(62 L x 18 W x 44 cm H)
Shade: 7" Ø x 6" H
(18 Ø x 15 cm H)

**David
Weeks
Studio**



STUDIO

1818 Atlantic Ave.
Brooklyn, NY 11233
212 966 3433

sales@DavidWeeksStudio.com
www.DavidWeeksStudio.com

December 2021