



DESCRIPTION

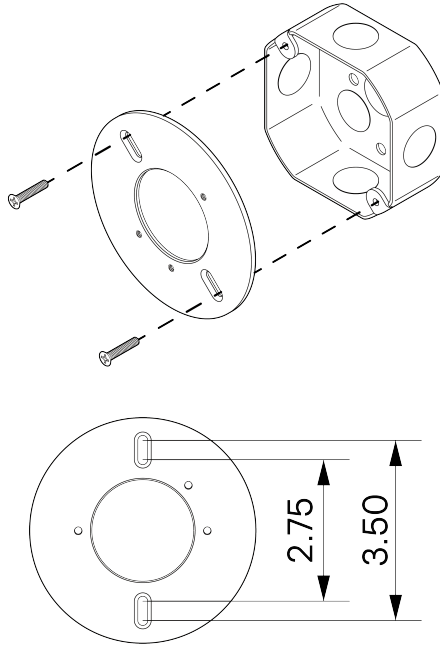
The Stow Flush Mount was created as a celebration of glass as the central character. At its core, Stow explores the idea of a globe within a globe, pairing a transparent outer shell with a luminous, jewel-like inner sphere that delivers a warm, balanced light.

The outer glass is defined by a subtle, water-like texture that gently distorts and refracts light, casting a soft caustic pattern across surrounding surfaces. Crafted by master glassblowers in Italy, this effect is both controlled and organic, giving the piece a quiet sense of movement and a depth that feels almost alive.

Realizing this nested composition required a new level of precision in the internal hardware. We developed a custom attachment system inspired by camera lens mechanics, allowing the glass to engage with a simple push, twist, and click. This innovation eliminates visible threads and exposed hardware, replacing them with a clean, continuous brass ring that feels intentional and refined.

With the mechanics concealed, the focus remains entirely on the glass. The result is a seamless, quietly complex object that feels both engineered and serene. It is a work of art that maintains an effortless presence.

MOUNTING HARDWARE DIAGRAM



MOUNTING	WEIGHT
Universal	5.25 lb

LAMPING

G8 Bi-Pin Base. Type T Lamps

BULB INCLUDED (120V USA)

Emery Allen 4.5W G8 Bulb

BULB INCLUDED (240V EU)

Emery Allen 4.5W G8 240V Bulb

LAMP QUANTITY

1

BRIGHTNESS

450 Lumens

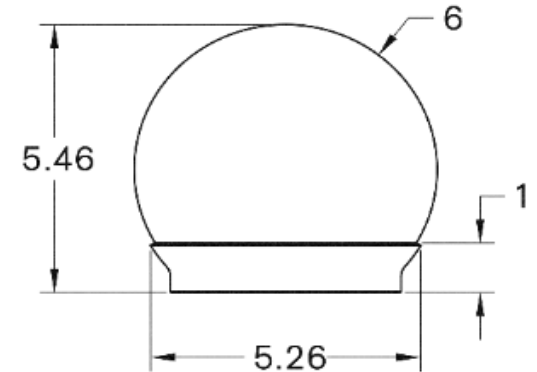
MAX WATTAGE

6W

DIMMING

LED+

DIMENSIONAL DRAWING



CERTIFICATIONS

CE, Damp Locations, UL and cUL Certified

