



DESCRIPTION

Formed from a dense gather of crystal glass and blown with an opal core suspended within. Each piece is shaped by hand, entirely individual, and defined by how it bends and transforms light.

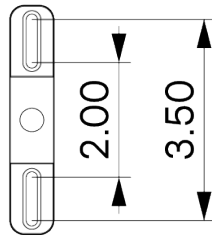
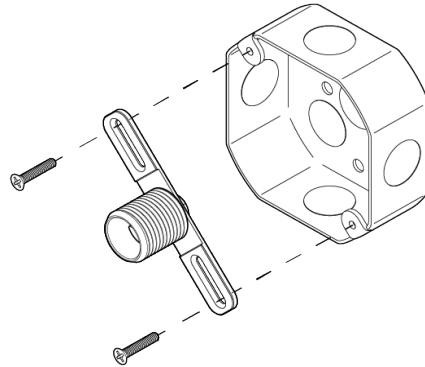
MATERIALS

Brass, Glass

METAL FINISHES

Available in All Standard Metal Finishes

MOUNTING HARDWARE DIAGRAM



MOUNTING

Universal

WEIGHT

3.5 lb

LAMPING

G8 Bi-Pin Base. Type T Lamps

BULB INCLUDED (120V USA)

Emery Allen 4.5W G8 Bulb

BULB INCLUDED (240V EU)

Emery Allen 4.5W G8 240V Bulb

LAMP QUANTITY

1

BRIGHTNESS

450 Lumens

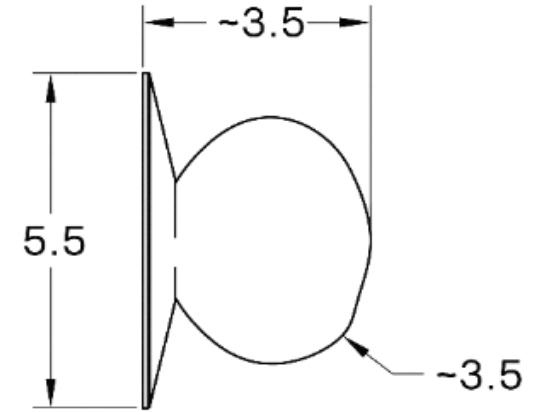
MAX WATTAGE

6W

DIMMING

LED+

DIMENSIONAL DRAWING



CERTIFICATIONS

CE, Damp Locations, UL and cUL Certified

