

Quadra Flush Mount


ALLIED MAKER

WAC-106



SALES@ALLIEDMAKER.COM

(212) 334-7333

81 FRANKLIN ST. NYC

HANDCRAFTED IN USA

DESCRIPTION

The Quadra Flush Mount is Allied Maker's entry into square form softened by subtle, intentional curves. Each glass piece is carefully slumped, easing the square into a gentle curvature where flat and curved surfaces meet at the corners. The edges are meticulously radiused and hand-polished, left fully exposed to celebrate the precision required to achieve this form. The glass seats within a nearly frameless machined brass plate, with a central neck featuring hardwood veneer and bronze accents. Warm and diffused, Quadra brings together glass, wood, and brass into a sculptural flush mount.

MATERIALS

Brass, Glass, Wood Veneer

METAL FINISHES

Available in All Standard Metal Finishes

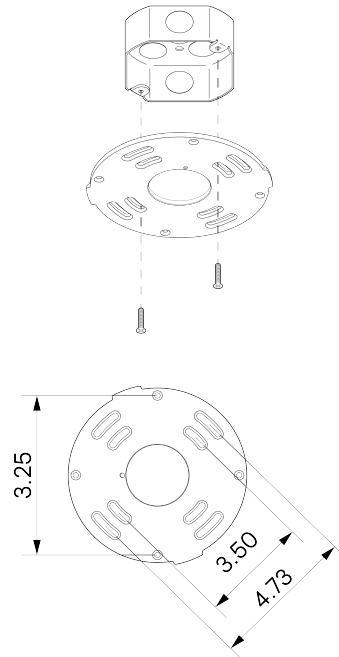
GLASS FINISHES

Matte White, Opal

WOOD FINISHES

Available in All Standard Wood Finishes

MOUNTING HARDWARE DIAGRAM



MOUNTING

Universal

WEIGHT

10.5 lb

LAMPING

E26 or E27 Screw Base. Type A Lamps

BULB INCLUDED (120V USA)

Satco 13.5W Bulb

BULB INCLUDED (240V EU)

Emery Allen 8.5W 240V Bulb

LAMP QUANTITY

1

BRIGHTNESS

1600 Lumens

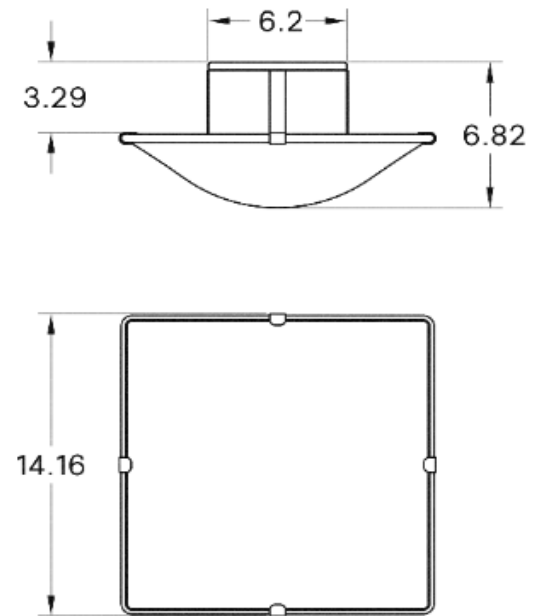
MAX WATTAGE

20W

DIMMING

Universal Dimming

DIMENSIONAL DRAWING



CERTIFICATIONS

CE, Damp Locations, UL and cUL Certified

