

Palma Pendant



ALLIED MAKER

CEI-182



SALES@ALLIEDMAKER.COM

(212) 334-7333

81 FRANKLIN ST. NYC

HANDCRAFTED IN USA

# Palma Pendant



CEI-182

## DESCRIPTION

The Palma is a handblown glass pendant with a stacked, undulating form that conceals its light source entirely within the brass fitting. The glass itself becomes the jewel on display with its rhythmic ridges animating and distributing light across the surface, glowing from within, sculpturally. The fixture features a hardwood rod accent. Available in clear and frosted glass.

## MATERIALS

Brass, Glass, Wood

## METAL FINISHES

Available in All Standard Metal Finishes

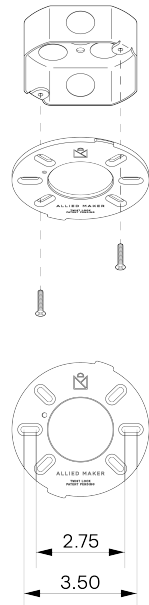
## GLASS FINISHES

Clear, Frosted

## WOOD FINISHES

Available in All Standard Wood Finishes

## MOUNTING HARDWARE DIAGRAM



MOUNTING	WEIGHT
Universal	11.25 lb

## LAMPING

GU-10 Bi-Pin Base. Type MR16 Lamps

**BULB INCLUDED (120V USA)**

**Emery Allen 7W GU10 Bulb**

**BULB INCLUDED (240V EU)**

**Emery Allen 7W GU10 240V Bulb**

## LAMP QUANTITY

1

## BRIGHTNESS

520 Lumens

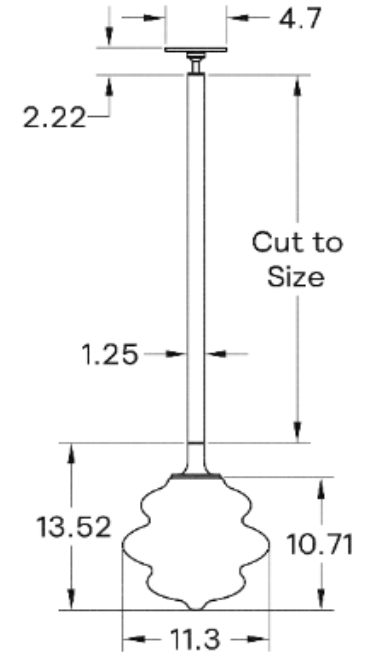
## MAX WATTAGE

9W

## DIMMING

Universal Dimming

## DIMENSIONAL DRAWING



## CERTIFICATIONS

CE, Damp Locations, UL and cUL Certified

