

Molten Pendant 7.5"


ALLIED MAKER

CEI-185



Molten Pendant 7.5"

MATERIALS

Brass, Glass

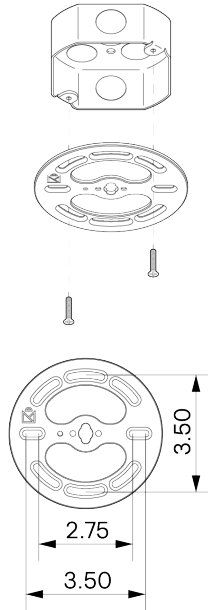
METAL FINISHES

Available in All Standard Metal Finishes

GLASS FINISHES

Amber, Aqua Pearl, Clear, Clear to Smoked Gradient, Frosted, Frosted to Smoked Gradient, Matte White, Opal, Topaz, Vintage Green

MOUNTING HARDWARE DIAGRAM



MOUNTING

Universal

WEIGHT

4.25 lb

LAMPING

G8 Bi-Pin Base. Type T Lamps

BULB INCLUDED (120V USA)

Emery Allen 4.5W G8 Bulb

BULB INCLUDED (240V EU)

Emery Allen 4.5W G8 240V Bulb

LAMP QUANTITY

1

BRIGHTNESS

450 Lumens

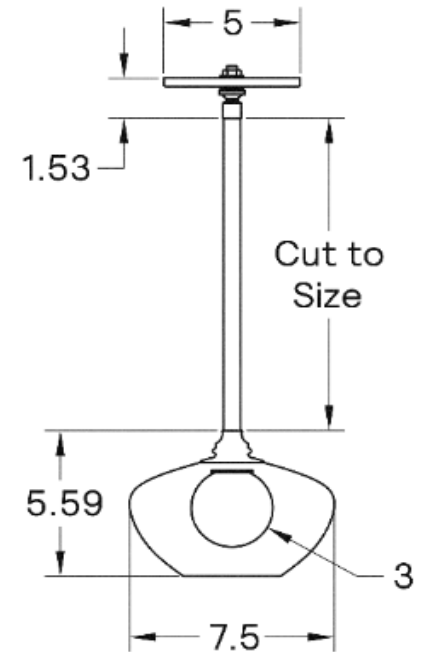
MAX WATTAGE

6W

DIMMING

LED+

DIMENSIONAL DRAWING



CERTIFICATIONS

CE, Damp Locations, UL and cUL Certified

