

Gordon Pendant 12"


ALLIED MAKER

CEI-188



SALES@ALLIEDMAKER.COM

(212) 334-7333

81 FRANKLIN ST. NYC

HANDCRAFTED IN USA

Gordon Pendant 12"

DESCRIPTION

The Gordon is a bell-form pendant composed of two distinct glass bodies held within a brass body. The upper shade in smooth opal glass diffuses light evenly across its surface, while a ribbed prismatic dome in our Nautilus texture refracts and directs warm light downward. Vertical ribs run the length of the opal body, meeting a horizontal band at the waist where the two glass forms join. The fixture hangs from a 3/4" hang rod with a lathe-turned brass fitting.

MATERIALS

Brass, Glass

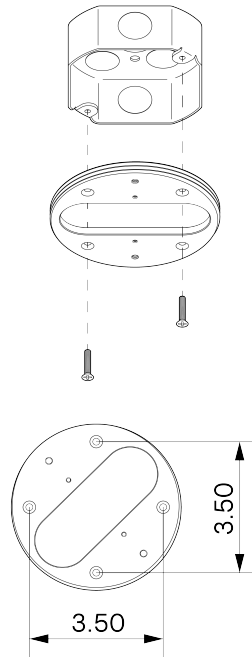
METAL FINISHES

Available in All Standard Metal Finishes

GLASS FINISHES

Clear, Opal

MOUNTING HARDWARE DIAGRAM



MOUNTING

4" J-Box only. Minimum 1.25" depth

WEIGHT

23.75 lb

LAMPING

Integrated Low Voltage LED with Driver Included

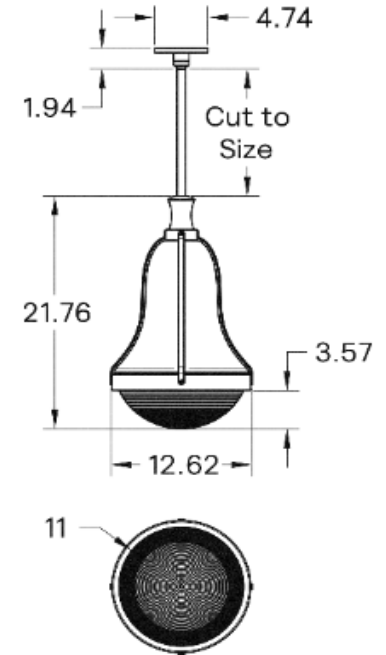
BRIGHTNESS

2690 Lumens

DIMMING

Universal Dimming

DIMENSIONAL DRAWING



CERTIFICATIONS

CE, Damp Locations, UL and cUL Certified