

Buoy Pendant 20"

  
ALLIED MAKER

CEI-176



# Buoy Pendant 20"

## DESCRIPTION

The Buoy Pendant is the first release in Allied Maker's Buoy Collection — a sculptural fixture that fuses nautical craftsmanship with refined lighting design. A frosted mouth-blown glass globe glows softly, suspended from a hand-spliced vintage rope and framed by a patinated brass belt. The three rope supports extend upward in clean, graceful lines to the ceiling, forming a visual tension between weight and levity. Each rope is finished with traditional maritime techniques, showcasing Allied Maker's dedication to detail. Offered in all handcrafted Allied Maker patinas, the Buoy Pendant is available now and crafted to order in New York.

## MATERIALS

Brass, Fabric, Glass

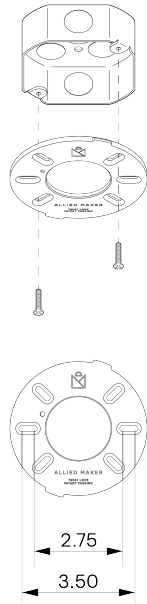
## METAL FINISHES

Available in All Standard Metal Finishes

## GLASS FINISHES

Clear, Frosted

## MOUNTING HARDWARE DIAGRAM



## MOUNTING

Universal

## WEIGHT

58 lb

## LAMPING

E26 or E27 Screw Base. Type A Lamps

BULB INCLUDED (120V USA)

Satco 13.5W Bulb

BULB INCLUDED (240V EU)

Emery Allen 8.5W 240V Bulb

## LAMP QUANTITY

1

## BRIGHTNESS

1500 Lumens

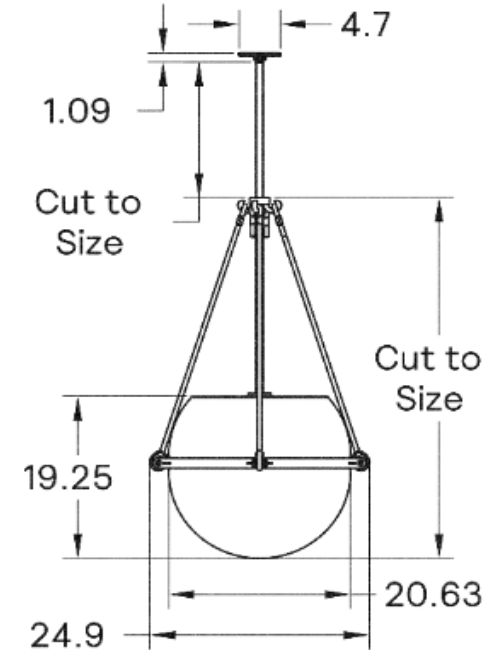
## MAX WATTAGE

15W

## DIMMING

Universal Dimming

## DIMENSIONAL DRAWING



## CERTIFICATIONS

CE, Damp Locations, UL and cUL Certified

