

Brass T2



ALLIED MAKER

CEI-072



DESCRIPTION

A streamlined T connection of machined brass tubes. Mouth-blown glass orbs reference bulbs in symmetry.

MATERIALS

Brass, Glass

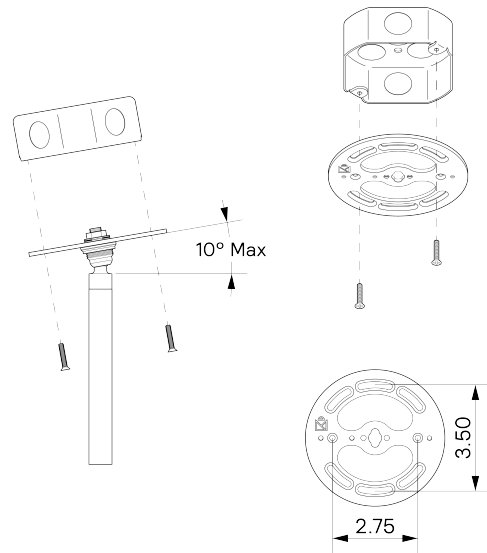
METAL FINISHES

Available in All Standard Metal Finishes

GLASS FINISHES

Alabaster, Matte White, Opal

MOUNTING HARDWARE DIAGRAM



MOUNTING

Universal

WEIGHT

6.25 lb

LAMPING

G8 Bi-Pin Base. Type T Lamps

BULB INCLUDED (120V USA)

Emery Allen 4.5W G8 Bulb

BULB INCLUDED (240V EU)

Emery Allen 4.5W G8 240V Bulb

LAMP QUANTITY

2

BRIGHTNESS

900 Lumens

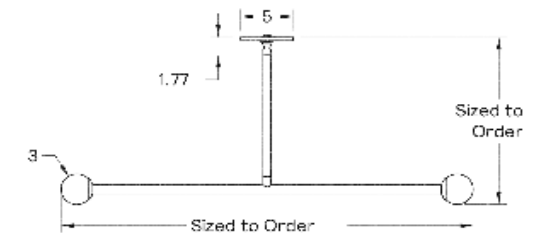
MAX WATTAGE

6W

DIMMING

LED+

DIMENSIONAL DRAWING



CERTIFICATIONS

CE, Damp Locations, UL and cUL Certified

