

**HOUSE OF
FINN JUHL**



GRASSHOPPER CHAIR 1938
BY FINN JUHL

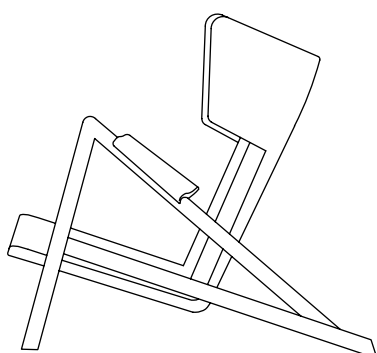
GRASSHOPPER CHAIR 1938

The Grasshopper Chair was designed by Finn Juhl in 1938 and exhibited at Niels Vodder's stand at the guild exhibition. The chair was one of Finn Juhl's first attempts at expressing his artistic freedom in the form of furniture and marks the first in a long line of designs, that would go on to manifest Finn Juhl as one of the all-time greatest in furniture design. Each Grasshopper Chair is sequentially numbered.

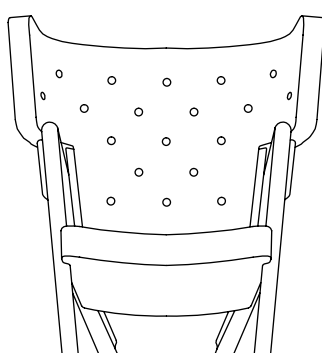


PRODUCT INFO

CATEGORY	Chair
DESIGN	Finn Juhl
YEAR	1938, relaunched in 2019
MATERIALS	Frame: Oak or walnut Upholstery: Textile or leather
DIMENSIONS	Size: B 87 cm x D 101 cm x H 93 cm Seat height: 34 cm Weight: 25 kg Cbm: 1,1 m ³



101 cm



87 cm

93 cm

triode